

Thank-you for purchasing a Workman 250 II from an Imer U.S.A. dealer. **Your decision is an intelligent one.**

There is no other concrete mixer in the world which delivers the benefits and features of the Workman 250 II:

- Extremely rigid, mig welded bar steel frame.
- 5.5 H.P. Honda with low oil alert.
- Full width fenders.
- Torsion Bar suspension.
- Advance drum and paddle design, excellent mixing and discharge action.
- Telescopic foot stands which provide additional stability during operation.

At IMER U.S.A. we continually search for ways to better serve our customers. Should you have an idea or thought to share with us regarding this product we would appreciate hearing from you. Our motto is **"Tools and Services for the 21st Century"**. We look forward to delivering the goods.

Thank you again for your purchase.



Mace T. Coleman, Jr.
President, Imer U.S.A, Inc.

IMER WEST
207 Lawrence Avenue
So. San Francisco, CA 94080
Tel 650 - 872 - 2200
Fax 650 - 873 - 6482

IMER EAST
221 Westhampton Place
Capitol Heights, MD 20743
Tel 301 - 336 - 3700
Fax 301 - 336 - 6681

Table of Contents

IMER U.S.A., INC.
WORKMAN 250 II MULTIMIXER
INSTRUCTION MANUAL

NOTE: Please read this manual before beginning to assemble or operate this piece of equipment.

| | |
|--|------------------|
| <i>ASSEMBLY</i> | <i>4</i> |
| <i>IMPORTANT NOTES AND ADVICE</i> | <i>5</i> |
| <i>OPERATING INSTRUCTIONS</i> | <i>7</i> |
| <i>MAINTENANCE.....</i> | <i>8</i> |
| <i>BASIC TROUBLE SHOOTING - TECHNICAL SPECIFICATIONS...</i> | <i>10</i> |
| <i>SPARE PARTS</i> | <i>11</i> |

ASSEMBLY

+

TOWING

Essentially the Workman 250 II is fully assembled and ready to operate when it leaves the assembly facility here at Imer U.S.A. However, there are a couple items which should always be checked before towing the Workman 250 II.

1. Make sure each tire is inflated to 50 PSI (cold), and check the oil level of the Honda motor.
2. Make certain the retractable stability legs are raised up fully and locked in place with the anchor pin provided.
3. Make certain that the tow bar is properly anchored and its tow chain is in place. It is also important to loop the tow chain around the tow bar several times before connecting it to a vehicle.
4. Make sure the engine canopy door is latched shut.
5. Make certain that the hitch system on your car or truck is compatible to the tow bar tongue.
6. Finally, local laws and ordinances vary from state to state regarding the registration of towable construction equipment, check and see if a license plate is required. Call your local Department of Motor Vehicles for the proper procedure to follow.



NOTE

State law may also require a tail light assembly.

Check with your local Department of Motor Vehicles for the proper procedure to follow.

IMPORTANT NOTES AND ADVICE

Do's and Don'ts on the Safe Use of the Workman 250 II

In the interest of safety, whoever uses the Workman 250 II should first read this manual and become familiar with all of the important safety notes. Failure to follow this advice may result in injury to yourself and others.

WHAT TO DO !

- Carefully read and understand these instructions before operating the mixer. Read the Honda manual too.
- Always turn off the engine and disconnect the spark plug wire before cleaning or maintaining the mixer. Mixers powered by electric motors should be unplugged from their power source before servicing is performed.
- Make sure the safety guards are always in place.
- When using the machine always wear safety boots with reinforced toe-caps, safety glasses, gloves, hard hat, and clothing with the appropriate fit. Loose clothing can cause injury should it become entangled with the mixer.
- Practice starting and stopping the machine.
- Keep the mixer clean and free of debris build-up.
- Periodically inspect your mixer for abnormal wear or damage.
- Always stop the engine before adding fuel.
- Do not operate the mixer while under the influence of drugs or alcohol.
- Always operate the mixer on a level surface
- When loading the Workman it is the best to pour your bagged material into a 5 gallon bucket then pour it into the drum
- It is much easier on your body and safer to load the drum in this manner.



IMPORTANT NOTES AND ADVICE **WHAT NOT TO DO !**

DO NOT

Place your hands or any other object inside the mixer drum while it is running.

DO NOT

Place any tools or other objects in or around the mixer drum while it is running .

DO NOT

Operate the mixer on a surface that is UNEVEN.... if the Workman is placed on an incline, it can fall over or roll away.

DO NOT

Clean, assemble or work on the mixer while it is plugged in !

DO NOT

Operate the mixer in or around water puddles !

DO NOT

Leave the mixer unattended !

DO NOT

Allow other persons around the mixer while it is operating

DO NOT

Operate the Workman II 250 if you are uncertain as to how to run the machine.... Contact your local Imer Distributor or call Imer U.S.A. at 800 - 275 - 5463.

DO NOT

Operate the mixer while under the influence of drugs or alcohol !

***WE WANT SAFE AND EFFICIENT
PRODUCTION/OPERATION
FOR ALL OUR CUSTOMERS !***

OPERATING INSTRUCTIONS

1. Before starting the engine read the Honda manual provided and become familiar with the GX160 powerplant. Especially important is to check the oil daily and change it monthly. Additionally, cleaning the air filter weekly ensures consistently good performance.
2. Operate the the Workman II 250 on a level surface. For additional stability the telescopic foot stands can be lowered and locked into place.
3. To put the drum in the loading position rotate the dump wheel until the desired drum position is achieved.
4. Start the engine and set the throttle at 3/4 to full on.
5. Now add 1/2 of the water which will be required and then begin to add the cement and aggregates. Additional water can be added as the cement and aggregates mix together.



BE CAREFUL ! Do Not put your shovel or your hands inside the drum !

6. To put the drum in the discharge position rotate the dump wheel until the desired drum position is achieved.
7. During the loading, mixing, and discharge cycle it is important to keep the mixer running at all times.
8. Always prepare your work site to have a level ground surface, the mixer must be stable as you load and discharge the drum.

MAINTENANCE

Lubrication

1. All the other components on the mixer which engage or move back and forth should be lubricated with a light aerosol type lubricant on a weekly basis. WD- 40 works well for this application.
2. Essentially the gearbox is sealed for life. The quality of the gears and the lubricant are such that changing the oil is not necessary. If you want to change the oil, see your dealer or call IMER U.S.A directly for instruction.
3. One a year remove the cast cap from the top half of the dump gear assembly and grease it up good.
(Part #36, page 12)

Belt Tension

1. The mixer has two belts: one in the canopy and the other in the arm. The belts are properly adjusted before leaving our factory, however, it is a good idea to check their tension before operating the mixer. Then, when one belt becomes loose, tighten it back to this original condition.



NOTE

The belts will stretch the most during the first few hours of operation check them frequently, and always kill the motor and disconnect the spark plug wire before touching the belts. Or, if your machine has an electric motor, unplug it from the power source before adjusting the belts.

2. To tighten the belt inside the canopy loosen the bolts which anchor the motor mount plate to the mixer frame. This allows the motor mount plate to slide down the frame, which in turn tightens the belt. The belt should have 1/4" to 3/8" of play. Now re-tighten the bolts which anchor the motor mount plate.
3. To tighten the belt inside the arm loosen the 4 nuts which anchor the gearbox on the arm. Tighten the belt by turning the adjustment bolt. The belt should have 1/4" to 3/8" of play, do not over tighten as this shortens their drive life. Now re-tighten the gearbox anchor bolts.



NOTE

It is very important to keep the engine pulley and the drive pulley in line with one another. Failure to maintain this alignment will cause the belt to twist and then break.



MISC.

Every month check all the mixer's mounting hardware to ensure all the nuts and bolts are properly tightened.

Wheel Bearings

1. The wheel bearings should be cleaned and repacked every 6 months to 1 year. The interval being dependant upon the amount of time the machine is towed, and under what conditions. This maintenance procedure is the same as that for automotive wheel bearings.

Engine

Read the Honda manual carefully ... and follow their instructions.

Changing the oil and cleaning the air filter frequently ensure a reliable and long lasting motor.

When you may need Honda Engine Service or Warranty Assistance, take the machine to your local Honda power equipment dealer, they will honor the Warranty throughout America.



NOTE

It is always a good idea to check the oil level in the engine crankcase at the start of each working day. Clean oil at the correct level makes for a engine that will last and last.

Mixer's drum disassembly and re-assembly

In case it's necessary to remove the drum, to reset it it's necessary.

- to clean carefully the gear shaft cone and the drum cone.
- to place the drum on the shaft cone, making sure that shaft shear pin is inside its seat in the drum cone.
- to block drum tightening screw with washer by following tightening torques:

Workman 250 II: 220 ± 20 Nm.



TECHNICAL SPECIFICATIONS

WORKMAN II 250

| | |
|-------------------------------------|---|
| Drum capacity | 9 CU. FT. |
| Batch Output | 6 CU. FT. (1 bag)* |
| Drum Diameter | 27.5 Inches |
| Discharge Outlet Height | 27.5 Inches |
| Pneumatic Wheels | 4.50-10 Inches (50 PSI) |
| Power plants | 5.5 HP Honda GX160 1.5 HP electric |
| Overall Operating Dimensions | 76" x 49" x 57" |
| Overall Storage Dimensions | 76" x 49" x 57" |
| Weight | 450 LBS (206 Kg) |

*Capacity based upon usable volume

***Due to Imer U.S.A. 's commitment to
Research and Development,
specifications are subject
to change without notice.***



SPARE PARTS

DRAWING 1.3 (WORKMAN II 250 CONCRETE MIXER - 1105850)

| Ref. | P.n. | Main Description | NOTES |
|------|---------|-----------------------|-------------|
| 1 | 3209287 | MAIN FRAME | |
| 2 | 3209294 | TOW BAR | |
| 3 | 3208906 | ARM | |
| 4 | 3208811 | DRUM ASS'Y | |
| 5 | 3206690 | T-BOLT | |
| 6 | 3207225 | T-BOLT WASHER | |
| 7 | 3209953 | STABILIZING FOOT | |
| 8 | 3208792 | NYLON FIBER BUSHING | |
| 9 | 2227205 | CIRCLIP | E 50 |
| 10 | 3209032 | PLASTIC PLUG | |
| 11 | 3209298 | HONDA MOTOR | HONDA G 150 |
| 12 | 3209052 | MOTOR PULLEY | |
| 13 | 3206322 | WASHER | 8X30X5 |
| 14 | 2210950 | MOTOR BELT | |
| 15 | 3209524 | BELT GUARD | |
| 16 | 2248216 | TORSION BAR AXLE | |
| 17 | 3209293 | LEG FRAME | |
| 18 | 3209250 | REAR LEG FRAME | |
| 19 | 3208924 | GEAR BOX | |
| 20 | 2223980 | WHEEL NUT | S 190 TT |
| 21 | 2223923 | SELF LOCKING NUT | M 8 Z |
| 22 | 2222114 | BOLT | M8X90 Z |
| 23 | 2227320 | CIRCLIP | E 20 |
| 24 | 3208925 | GEAR BOX BELT COVER | |
| 25 | 2222420 | BOLT | 4.8X13 |
| 26 | 3209134 | BOLT | M10X140Z |
| 27 | 3208776 | KEY WAY | 14X9X25 |
| 28 | 3208770 | BUSHING | |
| 29 | 3208773 | DUMP GEAR | Z 32 |
| 30 | 2211407 | TIRE + WHEEL | |
| 31 | 3206704 | ANCHOR PIN | |
| 32 | 3208944 | BUMPER PAD | |
| 33 | 3208790 | BUMPER PAD | |
| 34 | 2224220 | WASHER | D10X40 |
| 35 | 2223920 | SELF LOCKING NUT | M10 Z |
| 36 | 3213876 | CAST CAP | |
| 37 | 2222181 | BOLT | |
| 38 | 2223921 | SELF LOCKING NUT | |
| 39 | 3209786 | DUMP GEAR CASTING | |
| 40 | 2229300 | KEY WAY | 6X6X20 |
| 41 | 2224204 | WASHER | D 8X24 |
| 42 | 3205545 | RUBBER SWITCH CUP | E 20 |
| 43 | 3208777 | DUMP WHEEL | |
| 44 | 3206748 | DUMP HANDEL | |
| 45 | 2223923 | SELF LOCKING NUT | M8 Z |
| 46 | 2222077 | BOLT | M8X20 Z |
| 47 | 3209049 | BELT - GEAR BOX DRIVE | 530 J6 |
| 48 | 3209289 | SAFETY LABEL | S 190 TT |
| 49 | 3208916 | ROLLER SHAFT | |
| 51 | 3203917 | WASHER | D8X25X4 Z |
| 52 | 3201015 | LEG CAP | |
| 53 | 3209467 | ANCHOR PIN | |
| 54 | 2226700 | SPLIT PIN | |
| 55 | 3210560 | ENGINE MOUNTING FRAME | |
| 56 | 3209119 | ENGINE MOUNTING PLATE | |
| 57 | 2222148 | BOLT | M10X65 Z |
| 58 | 3208915 | ROLLER GUIDE | |
| 59 | 2204421 | ROLLER BEARING | 6201 2RS |
| 60 | 1227330 | CIRCLIP | E 15 |
| 61 | 2204438 | DRIVE SHAFT BEARINGS | 6004 2RS |
| 62 | 3208919 | GEAR BOX DRIVE PULLEY | |
| 63 | 3209055 | SPACER | |
| 64 | 3203117 | KEY WAY | 5X5X20 |
| 65 | 3209054 | SHAFT | |
| 67 | 3209053 | ENGINE PULLEY | |
| 68 | 3208935 | CANOPY DOOR | |
| 69 | 3209459 | CANOPY REAR | |
| 70 | 3209120 | MOUNTING BRACKET | |
| 71 | 2221994 | PULLEY BOLT | 5/16"X25 Z |
| 72 | 3209136 | ENGINE PULLEY GUARD | |
| 73 | 3209111 | LOCK LEVER ROD | |
| 74 | 2222190 | BOLT | M8X40 Z |
| 77 | 3209133 | DUMP ARM PLUG | |
| 78 | 2222091 | BOLT | M8X70 Z |
| 79 | 3205544 | KILL BUTTON | |
| 80 | 3206011 | FENDER | |
| 81 | 2222146 | BOLT | |
| 82 | 3207782 | FENDER ARM | |
| 83 | 2222060 | BOLT | M8X20 Z |
| 84 | 2235452 | PLUG | |
| 85 | 3206855 | BOLT | |
| 87 | 3206861 | AXLE MOUNTING SPACER | |
| 88 | 2223929 | NUT | |
| 89 | 2234861 | TOW CHAIN | |
| 90 | 2292298 | QUICK CLIP | |
| 91 | 3208921 | SHORT SPACER | |
| 92 | 3208923 | LONG SPACER | |

DRAWING 1.3 WORKMAN II 250 CONCRETE MIXER

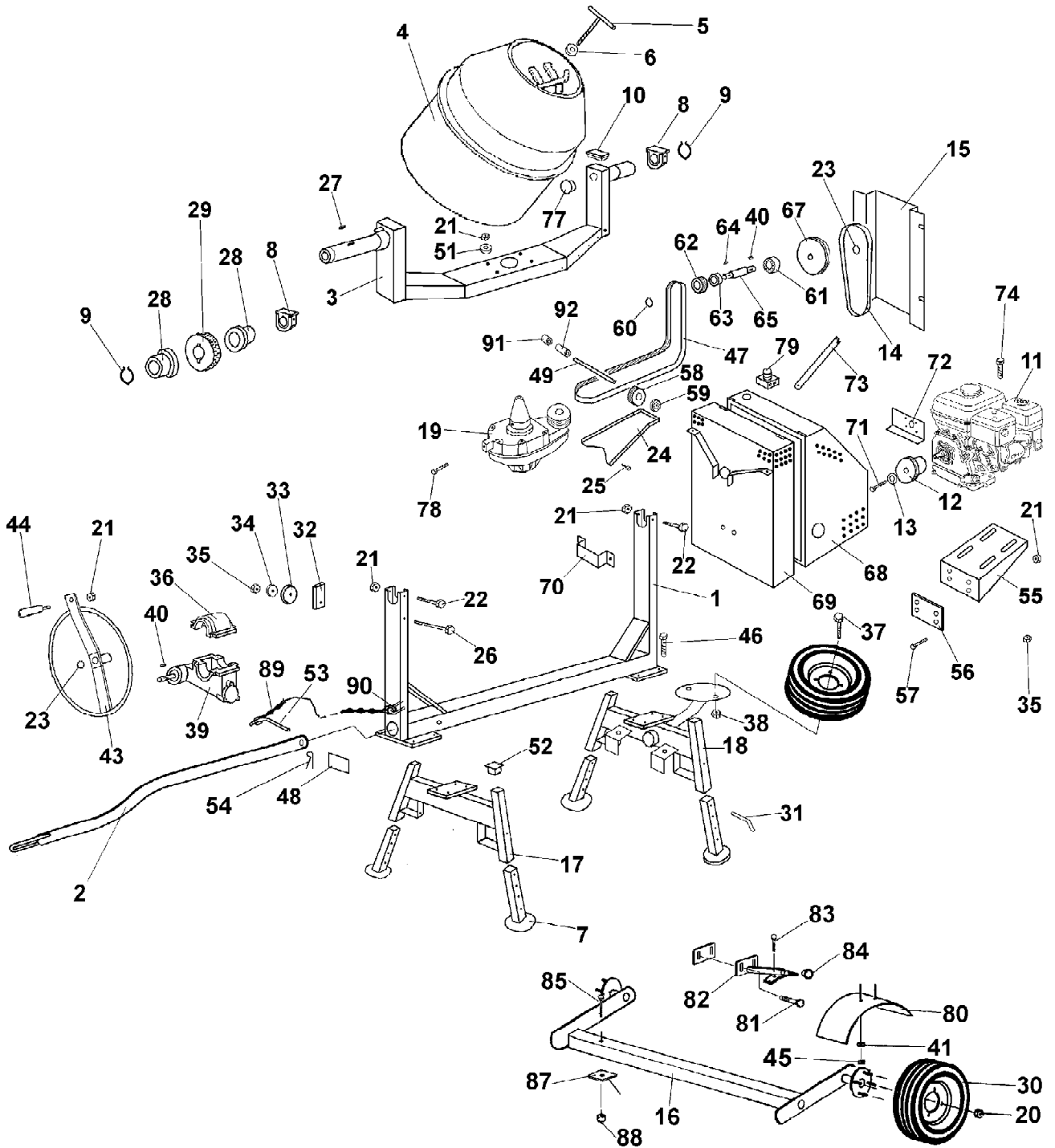




TABLE 2 - GEAR BOX : WORKAM II 250 (COD. 3208746)

| RIF. | COD. | GB | NOTE |
|------|---------|-----------------|------------|
| 1 | 2222018 | BOLT | M8 X 35 Z |
| 2 | 3213896 | OIL SEAL | 72X52X8 |
| 3 | 2222112 | BOLT | M8 X 100 Z |
| 4 | 3209681 | GEAR BOX CASE | |
| 5 | 3213887 | GEAR BOX GASKET | |
| 6 | 2228360 | SHEAR PIN | 8 X 16 |
| 7 | 3213897 | KEY WAY | 10X8X15 |
| 8 | 3209679 | BEARING | 6301 |
| 9 | 2202493 | GEAR WHEEL | Z.79 |
| 10 | 2229249 | KEY | 5X5X12 |
| 11 | 3208754 | PINION GEAR | Z9 M 1,75 |
| 12 | 3209680 | GEAR BOX CASE | |
| 13 | 3200094 | OIL SEAL | 35X20X7 |
| 14 | 2229250 | KEY | 5X5X15 |
| 15 | 2204440 | BEARING | 6004 |
| 16 | 3209770 | PINION GEAR | Z9 M 1,25 |
| 17 | 2222114 | BOLT | M8 X 90 Z |
| 18 | 3208762 | PULLEY | |
| 19 | 3208752 | SPACER | |
| 20 | 2223570 | NUT | M8 Z |
| 21 | 2224140 | WASHER | D=8 Z |
| 22 | 3213899 | BEARING | 6209 SKF |
| 23 | 2227220 | CIRCLIP | E 40 |
| 24 | 3208756 | GEAR | Z68 |
| 25 | 3213898 | BEARING | 6207 SKF |
| 26 | 2228820 | LOCATING PIN | D=6X14 |
| 27 | 3208748 | DRIVE SHAFT | |
| 28 | 1227330 | CIRCLIP | E 15 |
| 29 | 2224060 | WASHER | D=8 Z |

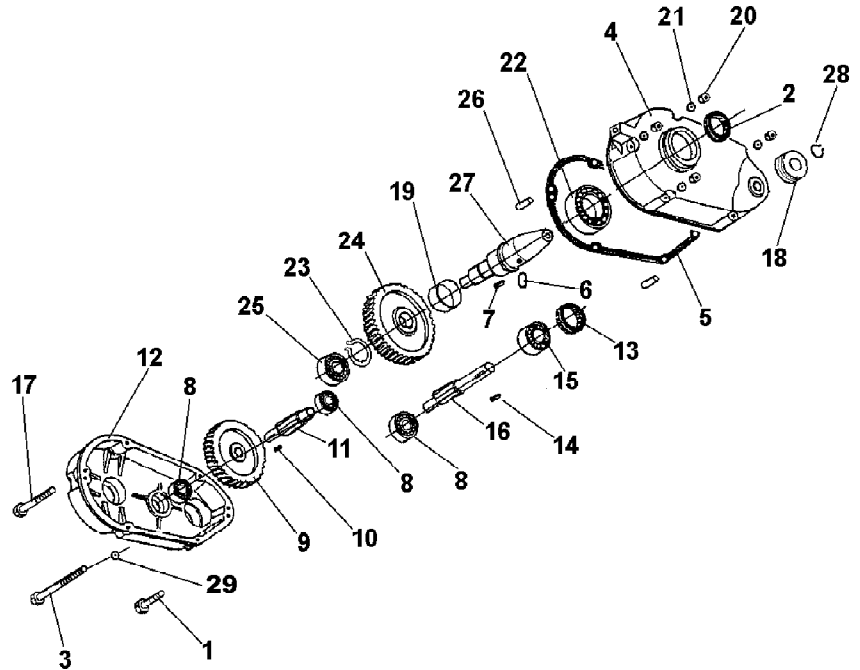
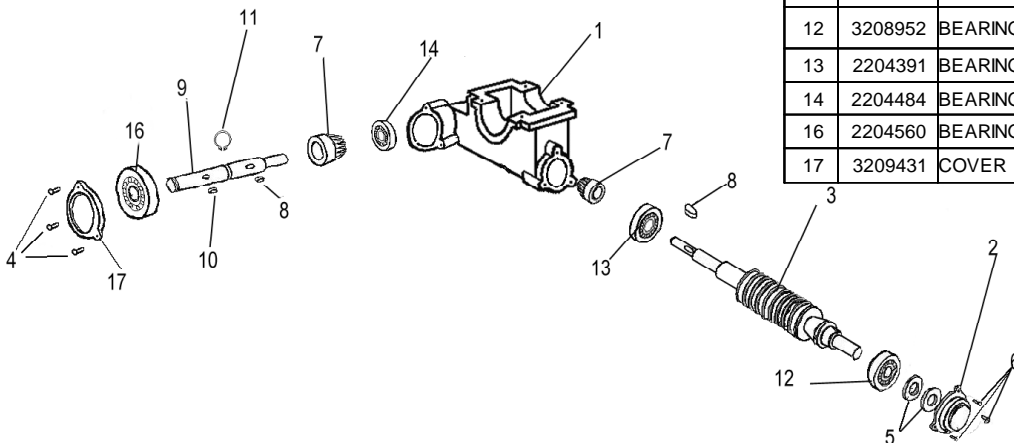


TABLE 3 - DRUM REDUCTION UNIT

| RIF. | COD. | DESCRIPTION | NOTE |
|------|---------|---------------|-----------|
| 1 | 3209428 | GEAR BOX CASE | |
| 2 | 3209430 | COVER | |
| 3 | 3213893 | DUMP GEAR | M10X110 Z |
| 4 | 2222465 | BOLT | M5X15 Z |
| 5 | 3213811 | OIL SEAL RING | 47X17X7 |
| 6 | 3209728 | SCREW | M6X15 |
| 7 | 3213264 | PINION GEAR | Z 20 |
| 8 | 2229259 | KEY WAY | 6X6X14 |
| 9 | 3208771 | SHAFT | |
| 10 | 2229300 | KEY WAY | 6X6X20 |
| 11 | 2227320 | CIRCLIP | E 20 |
| 12 | 3208952 | BEARING | 6206 2Z |
| 13 | 2204391 | BEARING | 6205 2Z |
| 14 | 2204484 | BEARING | 6203 2Z |
| 16 | 2204560 | BEARING | 6204 2RS |
| 17 | 3209431 | COVER | |





EQUIPMENT WARRANTY

IMER U.S.A. INC.

207 Lawrence avenue
So. San Francisco, CA 94080
Tel.(650) 872-2200
Fax(650) 873-6482

We warrant to the original purchaser that the IMER equipment described herein (the "equipment") shall be free from defects in material and workmanship under normal use and service for which it was intended for period of one (1) year from the date of purchase by the original purchaser.

Our obligation under this warranty is expressly limited to replacing or repairing, free of charge, F. O.B. our designated service facility, such part of the equipment as our inspection shall disclose to be defective. Parts such as engines, motors, pumps, valves, electric motors, etc. furnished by us, but not manufactured by us, will carry only the warranty of the manufacturer. Transportation charges or duties shall be borne by purchaser. This shall be the limit of our liability with respect to the quality of the equipment.

This warranty shall not apply to any equipment, or parts thereof, which has been damaged by reason of accident, negligence, unreasonable use, faulty repairs, or which has not been maintained and operated in accordance with our printed instructions for the equipment. Further, this warranty is void if the equipment, or any of its components, is altered or modified in any way.

THIS WARRANTY IS EXPRESSLY IN LIEU OF ALL OTHER WARRANTIES, EXPRESSED OR IMPLIED, INCLUDING ANY IMPLIED WARRANTY OF MERCHANTABILITY OR FITNESS FOR A PARTICULAR PURPOSE.

We make no other warranty, representation or guarantee, nor is anyone authorized to make one on our behalf. We shall not be liable for consequential damage of any kind, including loss or damage resulting, directly or indirectly, from the use or loss of use of the machine. Without limiting the generality of the foregoing, this exclusion from liability embraces the purchaser's expenses for downtime, damages for which the purchaser may be liable to other person, damages to property, and injury or death of any persons.

This warranty shall not be deemed to cover maintenance parts, including but not limited to blades, belts, hoses, hydraulic oil, or filters, for which we shall have no responsibility or liability whatsoever.