



[WWW.IMERUSA.COM](http://WWW.IMERUSA.COM)

# POWERED ACCESS LINE

SCISSOR LIFTS, ARTICULATED AND TELESCOPIC TRACKED PLATFORMS







**TOLL FREE: 800.275.5463**  
**WWW.IMERUSA.COM**



**IMER USA, Inc.**  
423 Bank Street  
Suite 180  
Southlake, TX 76092

Tel. (800) 275-5463  
Fax (301) 336-6687  
[www.imerusa.com](http://www.imerusa.com)

Due to our ongoing Research and Development efforts these products and their specifications are subject to change without notice.

The California Office of Environmental Health Hazard Assessment Requires this Specific Warning: Cancer and Reproductive Harm - [www.p65warnings.ca.gov](http://www.p65warnings.ca.gov)





IMER Group is an Italian company founded in 1962, a European leading manufacturer of construction machinery and equipment.

For over 50 years our mission is to provide the construction industry with the highest quality products which reduce operator fatigue and yield higher performance.

The IMER product range covers all the construction site's needs: from production, laying and transport of mortar and concrete to the cutting of materials and surfaces to elevating people and also to earthmoving.

IMER Access, the IMER Group's Access Platforms Division, manages the self-propelled aerial platforms lines for both scissor and articulated boom platforms, and the crawler access platform line.

The IMER Access production plant – with a footprint of almost 4 acres, of which over 50,000 square feet is indoor - is located in Pegognaga (Mantua).

The wide product range is a direct result of years of experience and specific research in the sector acquired in the most selective worldwide markets. The ability to customize the specific equipment of each product category allows us to focus on the market, through the constant improvement of products and processes.

## CONTENTS

<b>IMER Group</b> .....	3
<b>IM Scissors</b> .....	4
<b>Easy Up</b> .....	8
<b>IM 3224 E</b> .....	10
<b>IM 3534 E / IM 3540 E</b> .....	12
<b>IM 4740 E / IM 4746 E</b> .....	14
<b>Rough Terrain Scissors</b> .....	16
<b>IM 7043 RT DE / E</b> .....	18
<b>Series IM 220 RT DE / E</b> .....	20
<b>IM R Series</b> .....	22
<b>IM R 23</b> .....	24
<b>IM R 19</b> .....	26
<b>IM R 15</b> .....	28
<b>IM R 13 T</b> .....	30
<b>Warranty</b> .....	32



**We build** partnerships and collaborations all over the world.







# ELECTRIC POWERED

## SLAB SCISSOR LIFTS

IMER's Electric Scissor Lifts lead the industry with innovative technologies as a direct result of years of experience, concentrated research, and a goal to provide superior products that deliver unparalleled productivity and safety.

The IMER IM Series includes five models of scissors which all fill a unique void in the market and share innovative technologies while offering a commonality of parts, which simplifies maintenance and improves parts costs and accessibility.

Engineered to be compact and light-weight for easy clearance and maximum versatility. The reduced size, generous capacity, and optimized weight distribution ensure maneuverability in tight spaces with small steering angles. Operators may drive in any position, including at full height, providing superior productivity.

The IM Series scissors ensure the maximum capacity in both the platform and on the manual deck extension. They offer traction and stability at maximum height, even with multiple workers on the fully extended platform.

In addition to the standard features and accessories, IMER Group has developed **IMERVIEW**, a GPS system which makes it possible to monitor and/or control aerial machines remotely in real time.



### PRODUCT RANGE

#### Full Size Scissors

[SERIES IM 3224 E](#)

[SERIES IM 3534 E](#)

[SERIES IM 3540 E](#)

[SERIES IM 4740 E](#)

[SERIES IM 4746 E](#)

#### Mini Scissors

[SERIES EASY UP 3010](#)

#### STANDARD EQUIPMENT

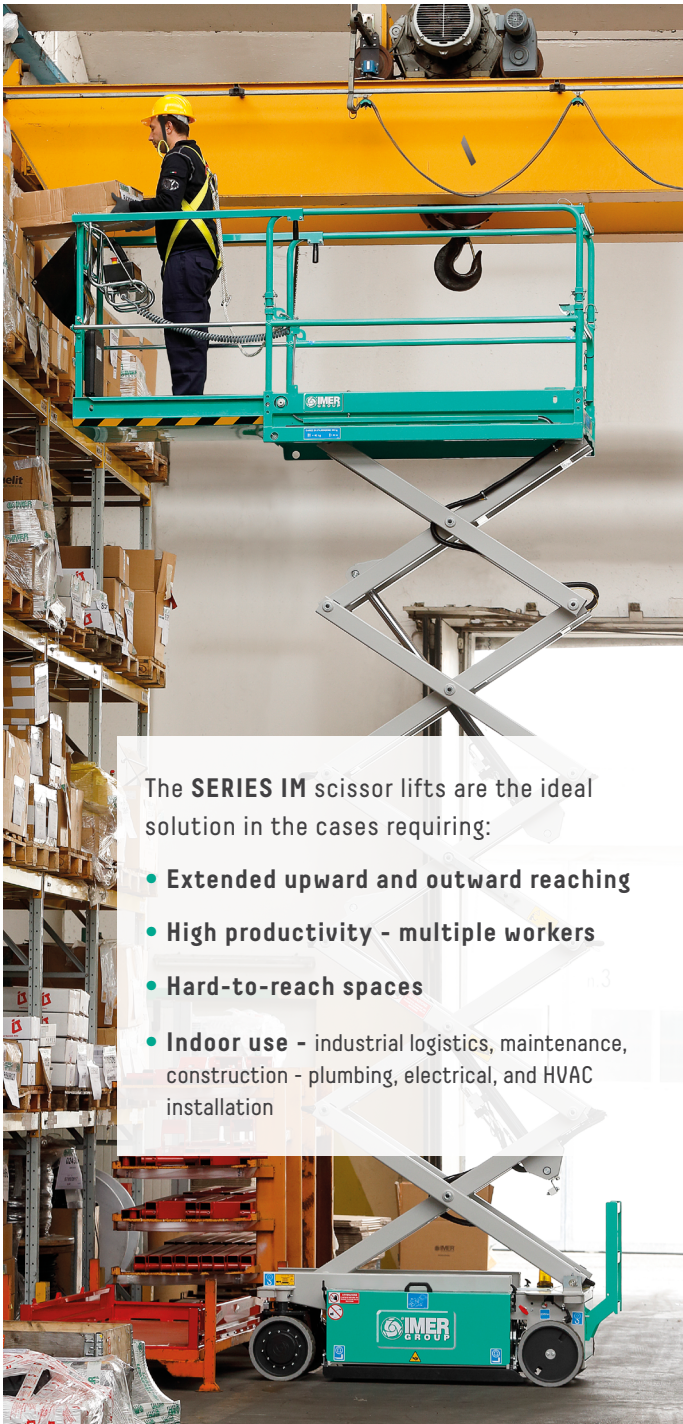
- ANSI 92.20 / CSA / CE & EN280 approved
- Electric front wheel drive motors\*
- Negative electromagnetic parking brakes with electric disengagement
- 90° steering
- Manual deck extension (holds two + people)\*
- Manual emergency lowering device
- Cylinder holding valve
- Heavy duty traction batteries\*
- Battery charger with automatic switch-off
- Audible motion alarm, horn, hour meter
- Tilt meter with motion cut out and alarms
- Mechanical wheel drive release for emergency hauling\*
- Cushioned non-marking tires
- Electrical scissor protection
- Pothole protection
- Battery control system with low-voltage cut-out protection
- Fast action foldable railings\*
- Platform weight management
- AC power to platform\*
- Flashing beacon
- Proportional controls with diagnostics

\* Only applies to full size scissors



## UNMATCHED PLATFORM SIZE & EXTENSION

The remarkable size and length of the platform and the extension provides increased performance. Support multiple workers and tools on the extended platform - extending further than competitive lifts.



The **SERIES IM** scissor lifts are the ideal solution in the cases requiring:

- **Extended upward and outward reaching**
- **High productivity - multiple workers**
- **Hard-to-reach spaces**
- **Indoor use** - industrial logistics, maintenance, construction - plumbing, electrical, and HVAC installation



## PERFORMANCE VERSATILITY

Work and drive safely from any position, including full height. Offering 3 speeds to maximize performance.





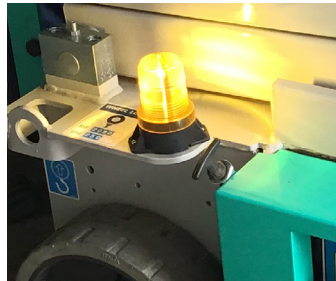
## ANSI A92.20, CSA & CE - EN280 COMPLIANCE

Every IM Series Scissor Model conforms to the European Standard safety requirements directed by the EN280, Canadian Standards Association (CSA), and the American National Standards Institute (ANSI) standards - receiving the EN280 marking and ANSI 92.20 approval.



## UNMATCHED SAFETY FEATURES

Every IM Series Scissor Model is built for operator safety and includes multiple safety features such as; a tilt meter with motion cut out and alarms, an overload sensor, a flashing beacon, and a manual emergency lowering device.



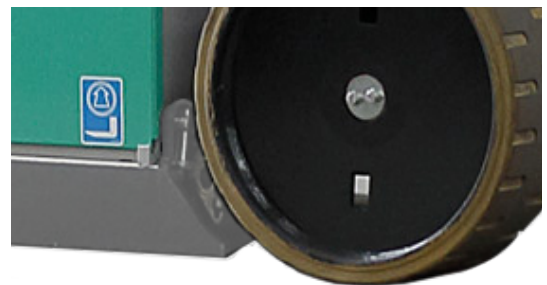
## ONE-HAND INTUITIVE CONTROL

Sturdy, simple and intuitive control box on the platform allows for a smooth operation from any rail position or on the ground - removable for ground control operations. The interchangeable control box can be used on any IM Series Scissor lifts.



## C5 BATTERY MORE POWER

Securely protected high capacity batteries and the electric front-wheel-drive motor boosts your productivity with longer runtimes. Built around C5 technology means more amperage and torque to drive motors which enables driving, stopping and starting on a steep grade.



## POTHOLE PROTECTION

Every IM Series Scissor Model provides a pothole protective undercarriage to stabilize the scissor and protect the operator. The cushioned non-marking tires continue to roll without interruption over potholes.



## SUPERIOR MOBILITY

Narrow platforms and foldable guardrails allow for easy access through standard doorways and narrow aisles. The shorter wheelbase allows for a tighter turning radius for exceptional maneuverability.



## HEAVY-DUTY FOLDING GUARDRAILS

All IM Series Scissors offer heavy-duty tubular foldable guardrails. The circular design provides more stability and strength than a square rail design.

## NARROW FRAME & PLATFORM

Not only are all IM Series Scissors compact and narrow for maximum mobility, the undercarriages offer a protective metal cover to stop debris from lodging and slowing operation.



## EXCEPTIONAL ACCESSIBILITY

Designed with full 90° steering capability, to move easily in tight spaces, plus easy serviceability without removing motor.





## MINI SCISSOR LIFTS

# Easy Up 3010

Self Propelled, Push Assisted & Picking Models

### STANDARD EQUIPMENT

- Manual emergency lowering device
- Battery charger with automatic switch-off
- Low battery alert
- Battery switch off
- Tilt meter with motion cut-out and alarm
- Load sensor with audible/visual motion cut-out and alarm
- Electrical scissor protection
- Non-marking tires
- Full height access gate with spring-lock
- 2WD traction, DC electric motors\*
- Electromagnetic brakes on the 2WD\*
- Swivel caster interlock for straight line driving\*
- Pothole protection\*
- Control box on platform IP65, with proportional joystick and emergency stop\*
- Selector for 3 different proportional speeds\*
- Audible motion alarm\*
- Horn\*
- Ground control panel with key switch\*

\* SP Model only

### OPTIONAL EQUIPMENT

- IMERVIEW GPS Remote Monitor System



Easy Up 3010  
Picker

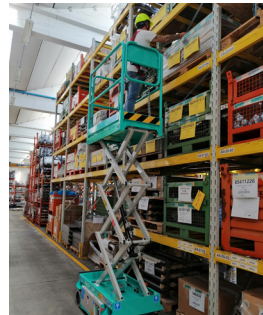
Easy Up 3010 SP

Easy Up 3010 PA

16' 5"  
working height



Easy to use joystick controls



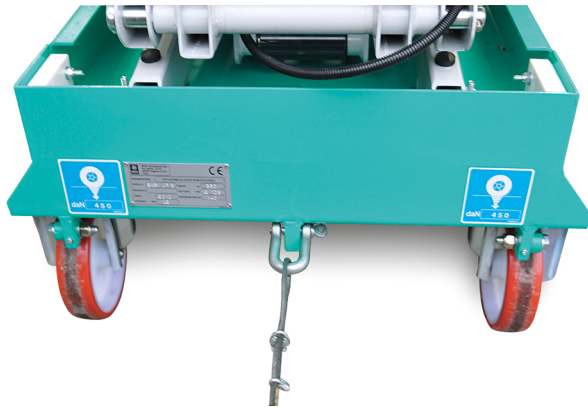
Driveable at full height



Fits easily through standard door



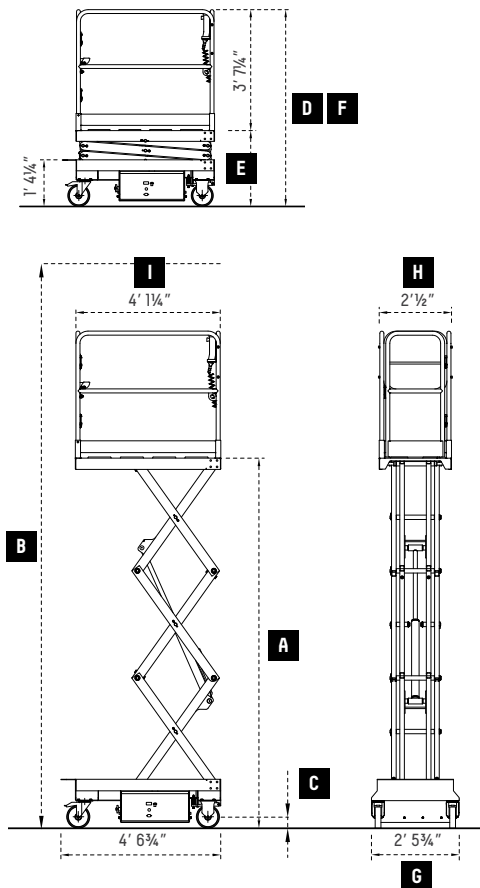
## INDOOR USE



Push assisted model comes with winching eye for easy transport



Picker model has non-slip platform with 8 adjustable positions



Easy Up 3010	Easy Up 3010 SP, PA & Picker			
A Platform Height	ft	11'	mm	3200
B Working Height	ft	17"	mm	5200
C (Pot-hole raised/lowered)	inch	3.5" / 1"	mm	25
D Height Stowed	ft	5' 11"	mm	1810
E Height (ground to platform bottom)	ft	2' 4"	mm	710
F Height Storage (with guardrails)	ft	5' 11"	mm	1810
G Width (outside tires)	ft	2' 6"	mm	760
H Platform width	ft	2' 1"	mm	626
I Platform width	ft	4' 1"	ft	1250
Capacity / number of people	lb / #	440 / 1	kg / #	200 / 1
Electric Drive Motors	V / Hp	24 / 3.2	V / kW	24 / 1
Battery	V / Ah	2 x 12/105	V / Ah	2 x 12/105
Battery charger	V	230	V	230
Hydraulic tank capacity	gal	0.5	l	2
Drive speed	mp / h	2.5	km / h	4
Safety traction	mp / h	0.4	km / h	0.6
Gradeability	%	25	%	25
Internal steering radius	ft	0	m	0
External steering radius	ft	4' 1"	m	1.25
Max side/longitudinal tilt angle	degrees	1.5 / 2.5	degrees	1.5 / 2.5
Platform dimensions (picking)	ft	3' 11" x 2' [2' 4" x 2']	mm	1200 x 620 (700 x 620)
Material tray dimensions*	ft	1' 8" x 2'	mm	500 x 620
Total weight	lb	1102	kg	1835

\* Picker only



# ELECTRIC SCISSOR LIFTS

## Series IM 32

### STANDARD EQUIPMENT

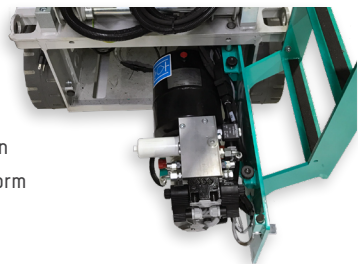
- Manual deck extension (holds two people)
- Electric traction on the front wheels
- Negative electromagnetic parking brakes with electric disengagement
- 90° wheel steering
- Manual deck extension of 39½"
- Manual emergency lowering
- Non-return valve on lifting cylinders
- Traction batteries 24V-185Ah (c5)
- Battery charger with automatic cut-off
- All movement alarm, horn, hour meter
- Tilt meter with motion cut-out and alarm
- Mechanical release for emergency hauling
- Solid rubber non-marking tires
- Electric scissor protection
- Pot Hole protection
- Battery level control with low voltage protection
- Foldable guardrails
- Platform weight management
- ANSI 92.20 / CSA / CE & EN280 approved
- AC power to platform
- Flashing beacon
- Proportional controls with diagnostics



IM 3224

### OPTIONAL EQUIPMENT

- 120 V cable with plug, socket and safety cut-out (standard for US Models)
- Kit for additional flashing beacon
- Compressed air line at the platform
- Gel battery IM 32 series



Easy to access standard hydraulic power pack with dual intake and output filters



Driveable at full height and fully extended



Manual deck extension of 39"

## INDOOR USE

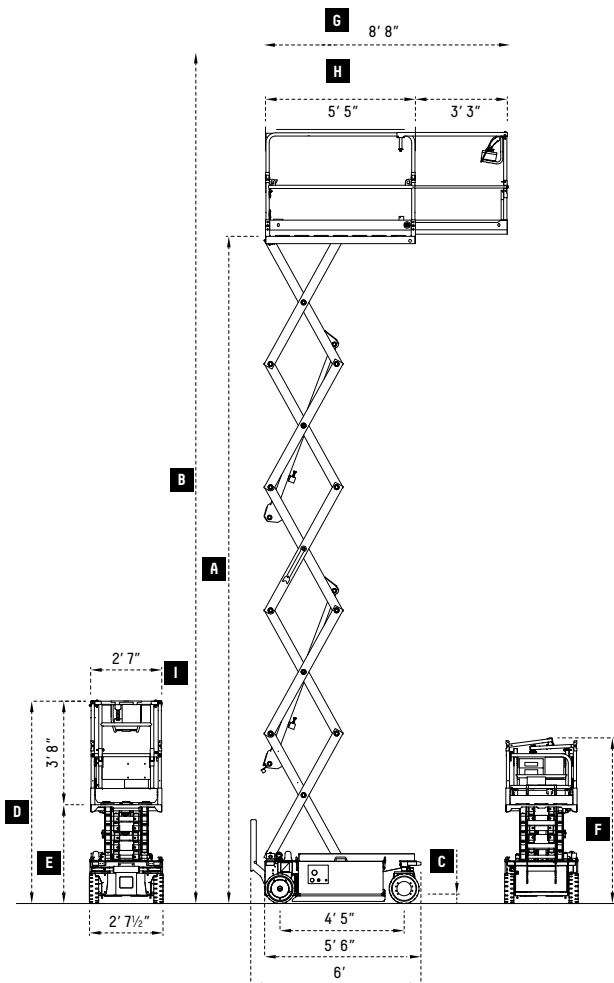


Foldable guardrails allow for easy access through standard doorways



39"  
deck extension

extension supports  
2 workers



IM 32	IM 3224 E (7380)			
A Platform Height	ft	23' 7½"	mm	7200
B Working Height	ft	30'	mm	9200
C (Pot-hole raised/lowered)	inch	3.5" / 1"	mm	90/22
D Height Stowed	ft	7' 2"	mm	2200
E Height (ground to platform bottom)	ft	3' 6"	mm	1080
F Height Storage (with guardrails)	ft	5' 11"	mm	1800
G Platform length - extended	ft	8' 8"	mm	2630
H Platform length	ft	5' 5"	mm	1630
Extension platform length	ft	3' 3"	mm	990
I Width	ft	2' 7"	mm	787
Capacity / number of people	lb / #	510 / 2	kg / #	231 / 2
Electric drive motors	V / HP	24 / 3.2	V / kW	24 / 2.4
Lifting power pack - hydraulic type	V / HP	24 / 2.8	V / kW	24 / 2.1
Lifting / Lowering time (loaded)	sec	36 / 35	sec	36 / 35
Battery (traction battery) C5	V / Ah	24 / 185	V / Ah	24 / 185
Battery charger	V / A	24 / 20A	V / A	24 / 20A
Hydraulic tank capacity	gal	1.8	l	7
Ground pressure - full load / per wheel	psi	287/250	psi	287/250
Drive speed	mp / h	2.5	km / h	4
Safety traction	mp / h	0.4	km / h	0.6
Gradeability	%	25	%	25
Internal steering radius	ft	0	m	0
External steering radius	ft	5' 7"	m	1.7
Tire size (wheel dimension)	inch	13" x 4"	mm	325 x 100
Wheel type	cushion		cushion	
Max side/longitudinal tilt angle	degrees	1.5 / 2.5	degrees	1.5 / 2.5



## ELECTRIC SCISSOR LIFTS

# Series IM 35



39'  
working height

IM 3534

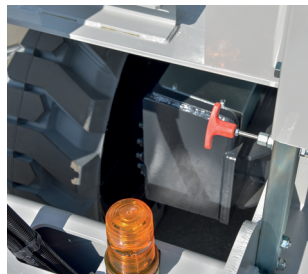


46'  
working height

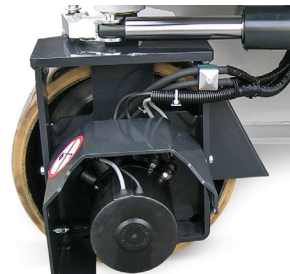
IM 3540

### OPTIONAL EQUIPMENT

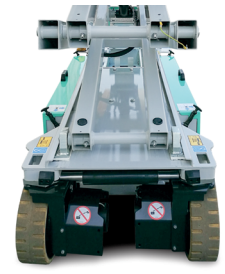
- 120 V cable with plug, socket and safety cut-out (standard for US Models)
- Gel battery IM 35 series
- Additional flashing beacon kit
- Compressed air line



Standard manual emergency lowering device



Standard negative electromagnetic parking brakes with electric disengagement

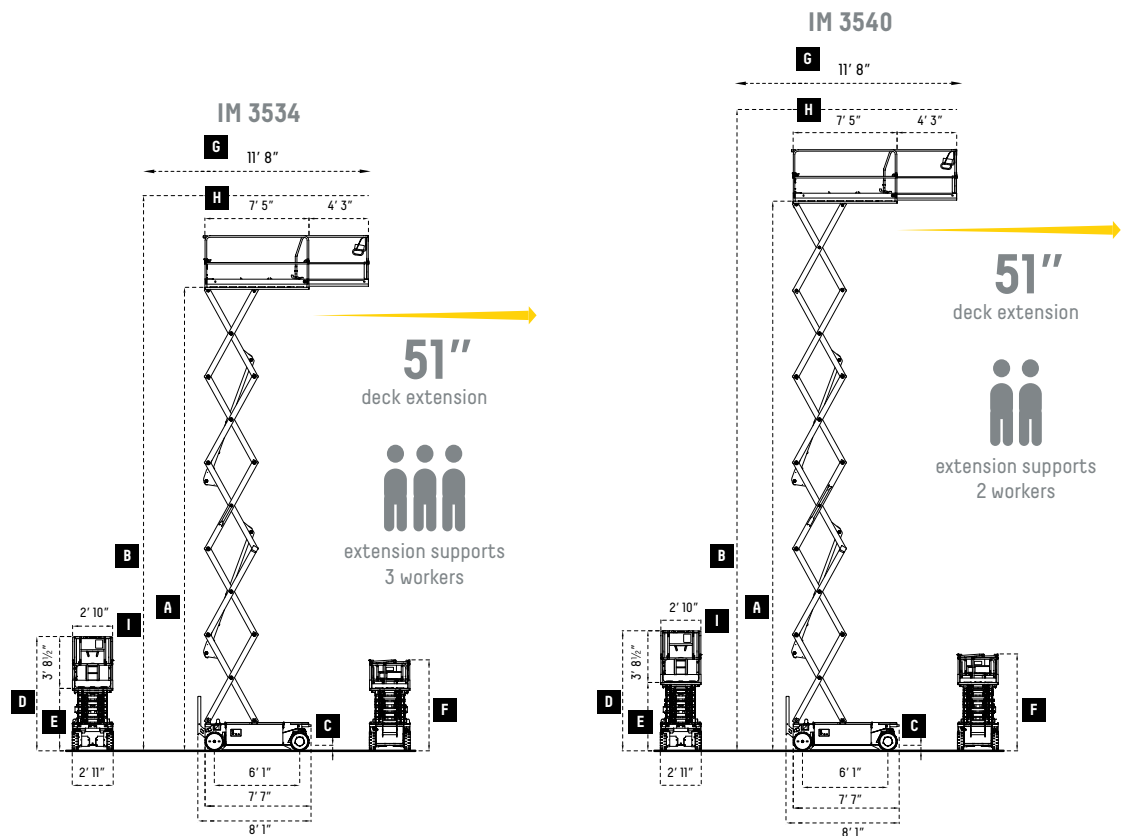


New design of the chassis allows easy cleaning and ensures protection to the components

## INDOOR USE



35"  
total width

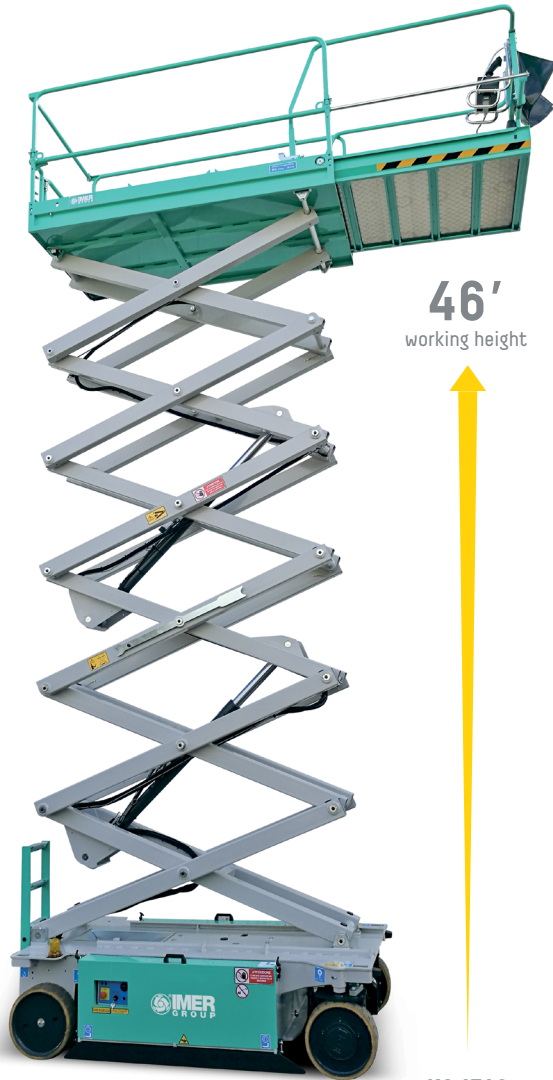


IM 35	IM 3534 E (10090)				IM 3540 E (12090)			
A Platform Height	ft	32' 9 1/4"	mm	10000	ft	39' 4 1/2"	mm	12000
B Working Height	ft	39' 4 1/2"	mm	12000	ft	45' 11"	mm	14000
C (Pot-hole raised/lowered)	inch	4.8 / 1	mm	123 / 24	inch	4.8 / 1	mm	123 / 24
D Height Stowed	ft	8' 2"	mm	2492	ft	8' 7"	mm	2619
E Height (ground to platform bottom)	ft	4' 5 1/2"	mm	1362	ft	4' 10 1/2"	mm	1489
F Height Storage (with guardrails)	ft	6' 6"	mm	1985	ft	6' 11"	mm	2112
G Platform length - extended	ft	11' 8"	mm	3570	ft	11' 8"	mm	3570
H Platform length	ft	7' 5"	mm	2270	ft	7' 5"	mm	2270
Extension platform length	ft	4' 3"	mm	1295	ft	4' 3"	mm	1295
I Width	ft	2' 11"	mm	889	ft	2' 11"	mm	889
Capacity / number of people	lb / #	660 / 3	kg / #	300 / 3	lb / #	510 / 2	kg / #	230 / 2
Electric drive motors	V / HP	24 / 4.0	V / kW	24 / 3.0	V / HP	24 / 4.0	V / kW	24 / 3.0
Lifting power pack - hydraulic type	V / HP	24 / 4.0	V / kW	24 / 3.0	V / HP	24 / 5.3	V / kW	24 / 4.0
Lifting / Lowering time (loaded)	sec	70 / 45	sec	70 / 45	sec	73 / 55	sec	73 / 55
Battery (traction battery) C5	V / Ah	24 / 250	V / Ah	24 / 250	V / Ah	24 / 300	V / Ah	24 / 300
Battery charger	V / A	24 / 30A	V / A	24 / 30A	V / A	24 / 30A	V / A	24 / 30A
Hydraulic tank capacity	gal	4.9	l	17	gal	4.9	l	17
Ground pressure - full load / per wheel	psi	313/199	psi	313/199	psi	320/202	psi	320/202
Drive speed	mph	2.5	km / h	4	mph	2.5	km / h	4
Safety traction	mph	0.4	km / h	0.6	mph	0.4	km / h	0.6
Gradeability	%	25	%	25	%	25	%	25
Internal steering radius	ft	0	m	0	ft	0	m	0
External steering radius	ft	7' 2 1/2"	m	2.22	ft	7' 2 1/2"	m	2.22
Tire size (wheel dimension)	inch	16" x 5"	mm	410 x 130	inch	16" x 5"	mm	410 x 130
Wheel type		cushion		cushion		cushion		cushion
Max side/longitudinal tilt angle	degrees	1.5 / 2.5	degrees	1.5 / 2.5	degrees	1.2 / 2.5	degrees	1.2 / 2.5



## ELECTRIC SCISSOR LIFTS

# Series IM 47



46'  
working height

IM 4740



52'  
working height

IM 4746



Standard AC power  
to the platform



Standard cushioned  
non-marking tires

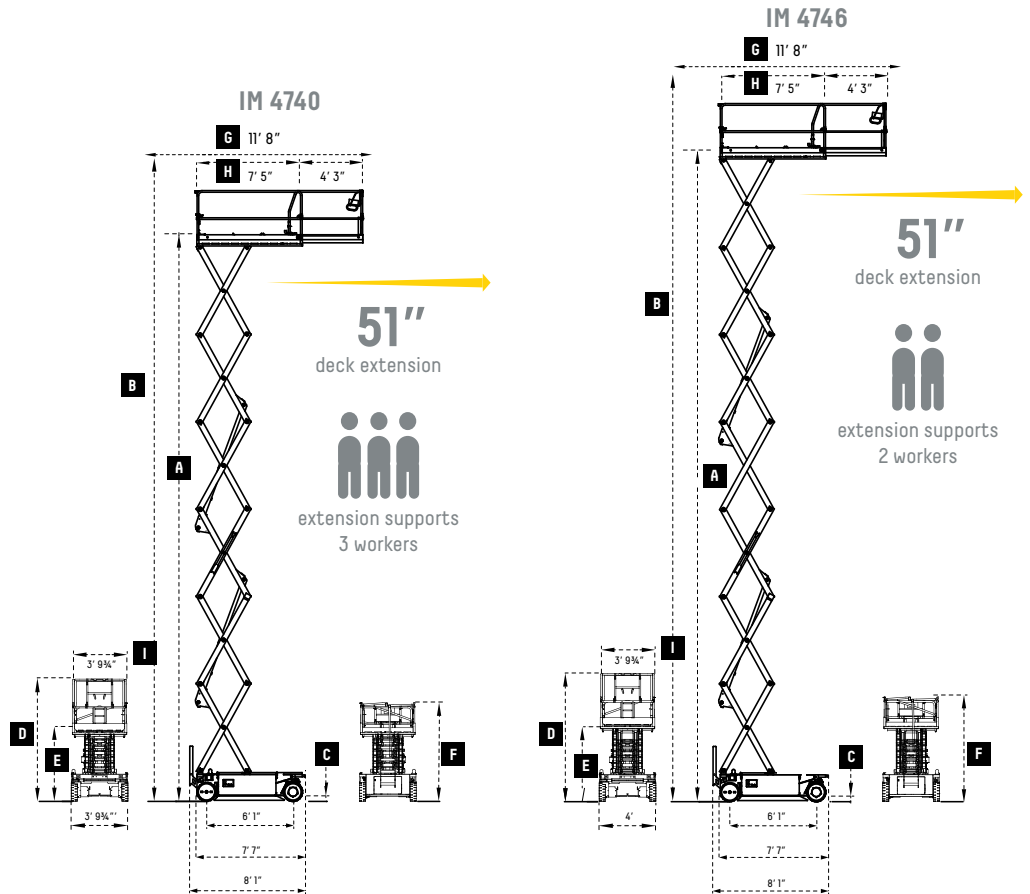
### OPTIONAL EQUIPMENT

- 120 V cable with plug, socket and safety cut-out (standard for US Models)
- Gel battery IM 47
- 2° rotating beacon kit

# INDOOR USE



47"  
total width



IM 47	IM 4740 E (12122)				IM 4746 E (14122)			
A Platform Height	ft	39' 4"	mm	12000	ft	45' 7"	mm	13900
B Working Height	ft	45' 11"	mm	14000	ft	52' 2"	mm	15900
C (Pot-hole raised/lowered)	inch	4.7 / 1	mm	120/22	inch	4.7 / 1	mm	120/22
D Height Stowed	inch	8' 7"	mm	2619	inch	9	mm	2746
E Height (ground to platform bottom)	ft	4' 10 1/2"	mm	1489	ft	5' 3 1/2"	mm	1616
F Height Storage (with guardrails)	ft	6' 11"	mm	2112	ft	7' 4"	mm	2239
G Platform length - extended	ft	11' 8"	mm	3570	ft	11' 8"	mm	3570
H Platform length	ft	7' 5"	mm	2270	ft	7' 5"	mm	2270
Extension platform length	ft	4' 3"	mm	1295	ft	4' 3"	mm	1295
I Width	ft	3' 10"	mm	1168	ft	4'	mm	1219
Capacity / number of people	lb	770 / 3	kg / #	350 / 3	lb	550 / 2	kg / #	250 / 2
Electric drive motors	V / HP	24 / 4.0	V / kW	24 / 3.0	V / HP	24 / 4.0	V / kW	24 / 3.0
Lifting power pack - hydraulic type	V / HP	24 / 4.0	V / kW	24 / 3.0	V / HP	24 / 5.3	V / kW	24 / 4.0
Lifting / Lowering time (loaded)	sec	68 / 55	sec	68 / 55	sec	68 / 67	sec	68 / 67
Battery (traction battery) C5	V / Ah	24/300	V / Ah	24/300	V / Ah	24/300	V / Ah	24/300
Battery charger	V / A	24 / 30A	V / A	24 / 30A	V / A	24 / 30A	V / A	24 / 30A
Hydraulic tank capacity	gal	4.9	l	17	gal	4.9	l	17
Ground pressure - full load / per wheel	psi	238/206	psi	238/206	psi	236/206	psi	236/206
Drive speed	mph	2.5	km / h	4	mph	2.5	km / h	4
Safety traction	mph	0.4	km / h	0.6	mph	0.4	km / h	0.6
Gradeability	%	25	%	25	%	25	%	25
Internal steering radius	ft	0	m	0	ft	0	m	0
External steering radius	ft	92 1/2"	m	2.35	ft	92 1/2"	m	2.35
Tire size (wheel dimension)	inch	16" x 5"	mm	410 x 130	inch	16" x 5"	mm	410 x 130
Wheel type	cushion		cushion		cushion		cushion	
Max side/longitudinal tilt angle	degrees	1.8 / 3.0	degrees	1.8 / 3.0	degrees	1.2 / 2.0	degrees	1.2 / 2.0
Total weight	lb	6430	kg	2915	lb	6610	kg	3000





# ROUGH TERRAIN

## SERIES IM RT SCISSOR LIFTS

IMER's Rough Terrain Scissor Lifts lead the industry with innovative technologies as a direct result of years of experience, concentrated research, and a goal to provide superior products that deliver unparalleled productivity and safety.

The IMER IM RT Series are customizable with AC electric or diesel / electric engines. Ideal for any terrain and the perfect solution for outdoor and indoor use.

Engineered to allow operators to drive in any position, including at full height, providing superior productivity.

The IM RT Series scissors ensure the maximum capacity in both the platform and on the manual deck extension. They offer traction and stability at maximum height, even with multiple workers safely working on the fully extended platform.

In addition to the standard features and accessories, IMER Group has developed **IMERVIEW**, a GPS system which makes it possible to monitor and/or control aerial machines remotely in real time.

This invaluable tool will allow rental companies or dealers to manage every machine in their fleet through a dashboard, while gathering reports for machine performance and maintenance, accounting, billing, and more.



### PRODUCT RANGE

[SERIES IM 7043 RT E](#)

[SERIES IM 7043 RT DE](#)

[SERIES IM 8747 RT DE](#)

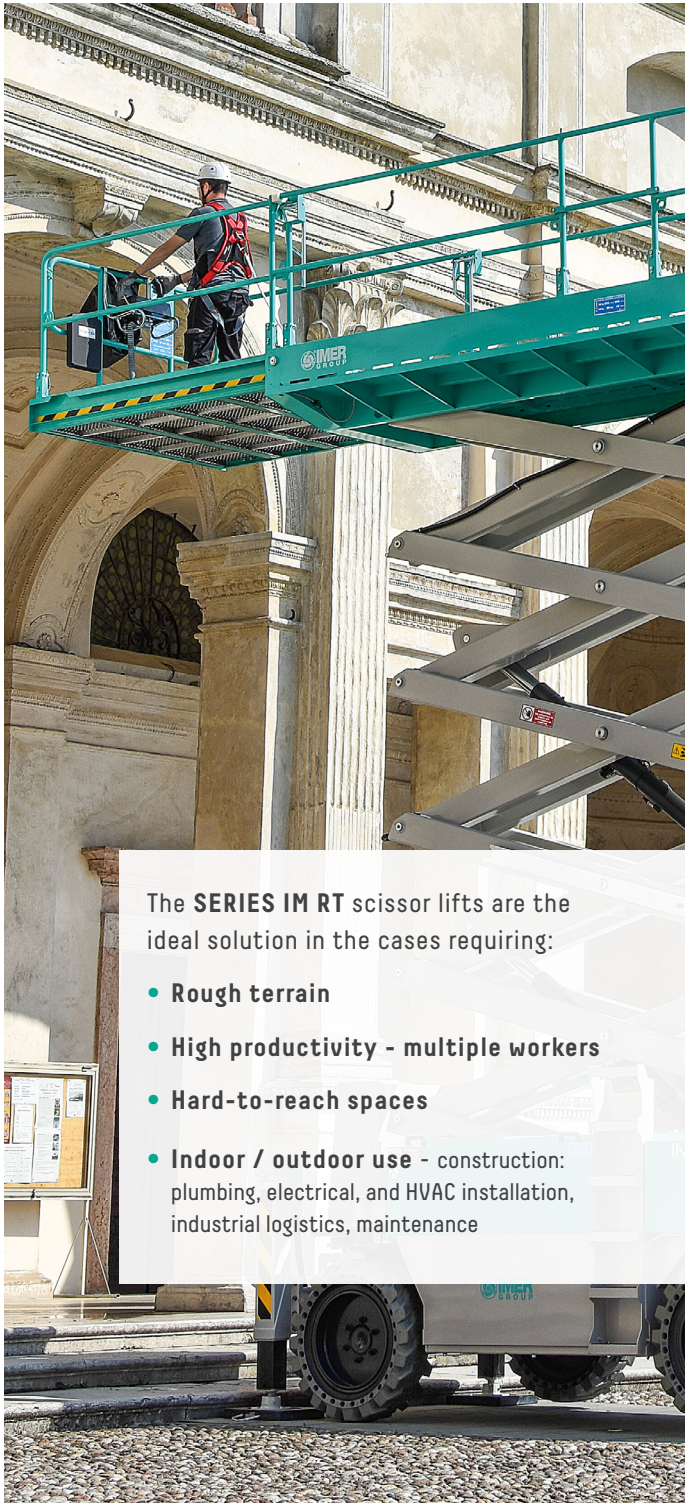
[SERIES IM 8756 RT DE](#)

### STANDARD EQUIPMENT

- Manual deck extension (full capacity on extension deck)
- Auto-leveling jacks
- Front driving and steering wheels
- Hydraulic transmission 4WD
- Oscillating front axle
- Negative parking brakes
- Free wheel device
- Manual emergency lowering device
- Proportional controls
- Multi-function indicator on upper control box includes hour meter / battery charge indicator and fault code indicator
- Cylinder holding valves
- Manual deck extension 59 in (1.5 m)
- Tilt sensor with motion cut out and alarms
- Load sensor
- Motion alarm (travel and elevated)
- Rough terrain tires extra grip non-marking
- Removable control box
- Inward fold down railings
- Flashing beacon
- 120 V cable with plug socket and safety cut-out

## BI-ENERGY DIESEL / ELECTRIC POWER

The IMER IM RT diesel / electric engine model can operate on Electric only, or Diesel only, making it two lifts in one.



The **SERIES IM RT** scissor lifts are the ideal solution in the cases requiring:

- **Rough terrain**
- **High productivity - multiple workers**
- **Hard-to-reach spaces**
- **Indoor / outdoor use** - construction: plumbing, electrical, and HVAC installation, industrial logistics, maintenance



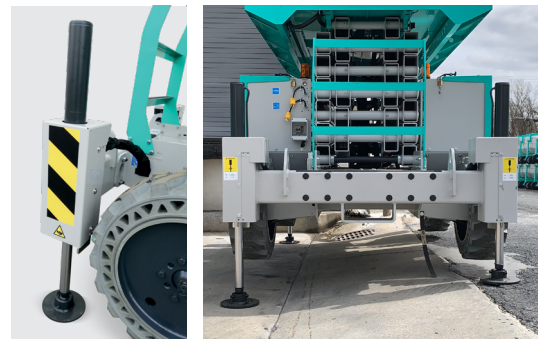
## PERFORMANCE VERSATILITY

The remarkable size and length of the platform and the extension provides increased performance. Support multiple workers and tools on the extended platform - extending further than competitive lifts. Work and drive safely at maximum height and at full load with no capacity restrictions.



## 4WD / ROUGH TERRAIN CAPABILITY

Massive 28" extra grip rough terrain tires, oscillation front axle and an impressive 35% gradeability.



## AUTOMATED TECHNOLOGY

Automatic hydraulic stabilization system levels the machine on gravel and steep slopes.



## ELECTRIC & DIESEL-ELECTRIC SCISSOR LIFTS

# Series IM 7043 RT

### ELECTRIC EQUIPMENT

- AC Motor 48V-7.2kW
- Traction Battery 48V 300Ah (C5)
- Battery charger with automatic switch off
- Battery control system with low voltage cut-out protection
- Battery cut-out handle
- Rough terrain tires extra grip non-marking 28" X 9 1/2" (720x245 mm)

### DIESEL-ELECTRIC EQUIPMENT

- Yanmar water cooled diesel engine
- Start-up battery 12V 66Ah
- Start-up battery alternator
- AC Motor 48V-7.2kW
- Traction Battery 48V 300Ah (C5)
- Battery charger with automatic switch off
- Battery control system with low voltage cut-out protection
- Battery cut-out handle
- Rough terrain tires extra grip non-marking 28" X 9 1/2" (720x245 mm)

### OPTIONAL EQUIPMENT

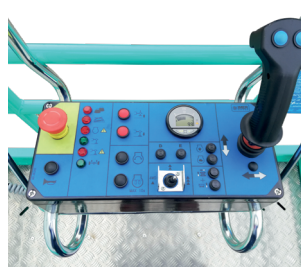
- Rough terrain black tires



IM 7043 RT



Plug unit for battery charger and power supply on basket with battery level indicator (E and DE versions)



Simple and intuitive control box that can be removed from the basket for loading / unloading the machine

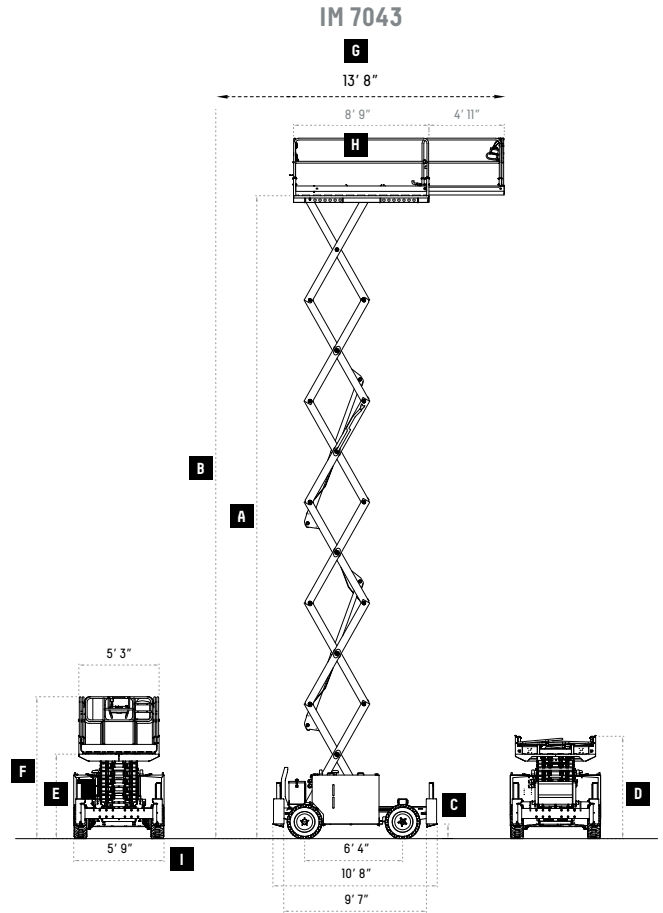


Best in class 40° steering

## OUTDOOR AND INDOOR USE



Manual deck extension of 59" (1.5 m)  
for a total length of 13' 8" (4.2 m).  
4 person unit authorized  
for indoor and outdoor use.



IM 7043	IM 7043 RT E (13180 E)				IM 7043 RT DE (13180 DE)			
A Platform Height	ft	43'	mm	12800	ft	43'	mm	12800
B Working Height	ft	48'	mm	14800	ft	48'	mm	14800
C (Pot-hole raised/lowered)	inch	12	mm	300	inch	12	mm	300
D Height Stowed	ft	6' 9"	mm	2056	ft	6' 9"	mm	2056
E Height (ground to platform bottom)	ft	5' 6"	mm	1698	ft	5' 6"	mm	1698
F Height Storage (with guardrails)	ft	9' 8"	mm	2944	ft	9' 8"	mm	2944
G Platform length - extended	ft	13' 8"	mm	4200	ft	13' 8"	mm	4200
H Platform length	ft	8' 9"	mm	2700	ft	8' 9"	mm	2700
Extension platform length	ft	4' 11"	mm	1500	ft	4' 11"	mm	1500
I Width	ft	5' 9"	mm	1753	ft	5' 9"	mm	1753
Capacity (stabilized)*	lb / #	882 (1100) / 4*	kg / #	400 (500) / 4*	lb / #	882 (1100) / 4*	kg / #	400 (500) / 4*
Min. height from chassis to ground	inch	12	mm	300	inch	12	mm	300
Electric drive motors	V / HP	48 / 10	kW	48 / 7.2	V / HP	--	kW	--
Diesel engine - Yanmar	HP	--	kW	--	HP	25	kW	18.8
Lifting power pack - hydraulic type	V / HP	48 / 3	V / kW	48 / 2.1	V / HP	48 / 3	V / kW	48 / 2.1
Lifting / Lowering time (loaded)	sec	36/35	sec	36/35	sec	36/35	sec	36/35
Battery charger	V / A	48/30A	V / A	48/30A	V / A	48/30A	V / A	48/30A
Hydraulic tank capacity	gal	14.8	l	56	gal	14.8	l	56
Ground pressure - full load / per wheel	psi	200/192	psi	200/192	psi	200/192	psi	200/192
Drive speed	mp / h	2.5	km / h	4	mp / h	D: 3.4 / E: 2.5	km / h	D: 5.5 / E: 4
Safety traction	mp / h	0.4	km / h	0.6	mp / h	0.4	km / h	0.6
Internal steering radius	ft	5' 7"	m	1.94	ft	5' 7"	m	1.94
Gradeability		2WD: 25% / 4WD: 35%				2WD: 25% / 4WD: 35%		
External steering radius (without stabilizers)	ft-In	15'-10" (14'-10")	m	4.83 (4.52)	ft-In	15'-10" (14'-10")	m	4.83 (4.52)
Tire size (wheel dimension)	inch	28" x 9 3/4"	m	720 x 245	inch	28" x 9 3/4"	m	720 x 245
Max side/longitudinal tilt angle		degrees 2.0 / 2.5				degrees 2.0 / 2.5		

\* 2 people for outdoor use with non-stabilized platform



# ELECTRIC & DIESEL-ELECTRIC SCISSOR LIFTS

## Series IM 87



### STANDARD ELECTRIC EQUIPMENT

- AC Motor 48V-15kW
- Traction Battery 48V 630Ah
- Battery charger with automatic switch off
- Battery control system with low voltage cut-out protection
- Battery cut-out handle
- Rough terrain tires extra grip non-marking 33"

### STANDARD DIESEL EQUIPMENT

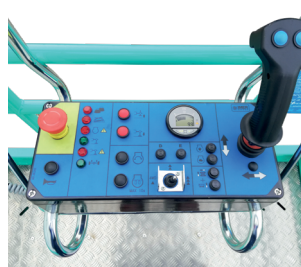
- Yanmar water cooled diesel engine
- Start-up battery 24V 65Ah
- Start-up battery alternator

### OPTIONAL EQUIPMENT

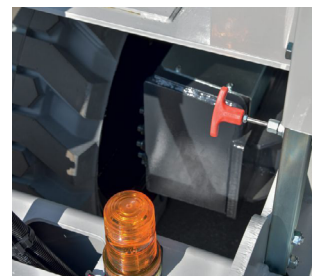
- Rough terrain black tires



A/C electric power unit



Simple and intuitive control box that can be removed from the basket for loading / unloading the machine



Emergency descent control handle

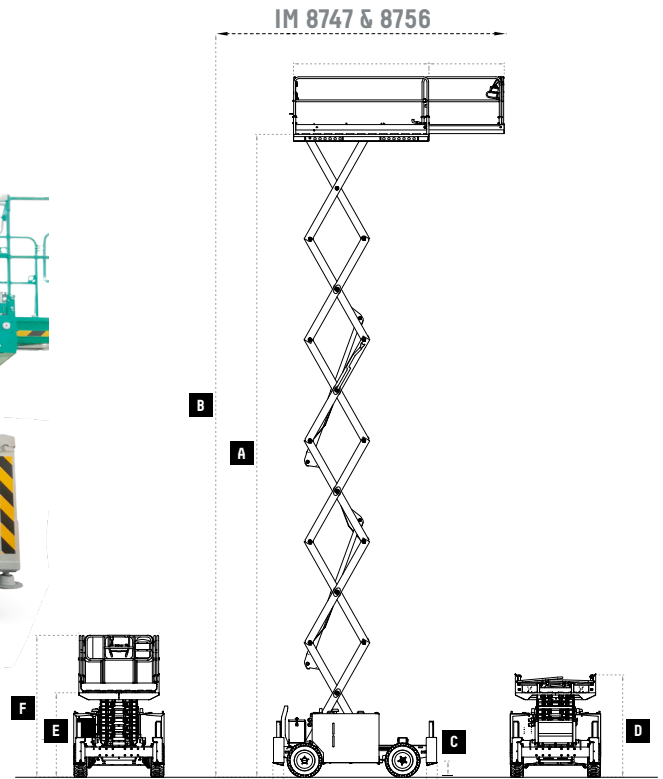
## OUTDOOR AND INDOOR USE



79"  
deck extension

IM 8756 RT

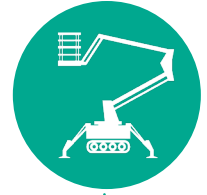
Manual deck extension of 79" (2 m)  
for a total length of 22' 4" (6.8 m).  
5 person unit authorized  
for indoor and outdoor use.



SERIES IM 87	IM 8747				IM 8756			
Number of scissors	5		5		6		6	
A Platform Height	ft	47'	mm	14200	ft	56	mm	17000
B Working Height	ft	53'	mm	16200	ft	62'	mm	19000
C (Pot-hole raised/lowered)	inch	13"	mm	340	inch	13"	mm	340
D Height Stowed	ft	9' 11"	mm	3010	ft	10' 6"	mm	3200
E Height (ground to platform bottom)	ft	6'	mm	1820	ft	6' 7"	mm	2000
F Height Storage (with guardrails)	ft	7' 3"	mm	2215	ft	7' 11"	mm	2400
Max Drive Height	Full		Full		Full		Full	
Facultative stabilizers use	Up to max height		Up to max height		Up to max height		Up to max height	
Capacity with stabilized platform	lbs	1763	kg	800	lbs	1190	kg	540
Capacity with non-stabilized platform	lbs	1763	kg	800	lbs	1190	kg	540
Diesel Engine	HP	30.8 hp	kW	23	HP	30.8 hp	kW	23
AC electric motor	HP	20 hp	kW	15	HP	20 hp	kW	15
Start Up Battery	V/Ah	12/65	V/Ah	12/65	V/Ah	12/65	V/Ah	12/65
Traction Battery	V/Ah	48/630	V/Ah	48/630	V/Ah	48/630	V/Ah	48/630
Battery Charger	V/A	48 / 55	V/A	48 / 55	V/A	48 / 55	V/A	48 / 55
Oil Tank Capacity	Gal	26.4	L	100	Gal	26.4	L	100
Max. Speed (Electric)	MPH	3.7 (2.1)	Km/h	6 (3.3)	MPH	3.7 (2.1)	Km/h	6 (3.3)
Safety Speed	MPH	.4	Km/h	.6	MPH	.3	Km/h	.5
Lift/Lower Time	sec.	70	sec.	70	sec.	70	sec.	70
Gradeability (Electric)	%	40% (30%)	%	40% (30%)	%	40% (30%)	%	40% (30%)
Max. Lateral Inclination	degrees	2°	degrees	2°	degrees	1.5°	degrees	1.5°
Max. Longitudinal Inclination	degrees	2°	degrees	2°	degrees	2°	degrees	2°
Internal Turning Radius	ft	2'7"	m	.8	ft	2'7"	m	.8
External Turning Radius	ft	13'9"	m	4.2	ft	13'9"	m	4.2
Tire Type	inch	33 x 12-20"			inch	33 x 12-20"		
Tire Dimensions	ft	2'8" x 1'	mm	815 x 295	ft	2'8" x 1'	mm	815 x 295
Weight (electric)	lbs	17,527 (18,210)	kg	7,950 (8,260)	lbs	18,298 (18,960)	kg	8,300 (8,600)

\* 2 people for outdoor use with non-stabilized platform





# TRACK DRIVEN

## SERIES IM R ARTICULATED & TELESCOPIC LIFTS

IMER was one of the first companies to introduce tracked aerial units to the international market years ago.

In compliance with strict European safety standards, the IM R Series was engineered with safety features that far exceeded Western regulations of that time.

Today, with an increased focus on US safety codes, IMER is introducing two models to the North American marketplace that were engineered and built in compliance with European and US safety standards.

While the IM R Series was first engineered with safety in mind, user experience, maneuverability, and versatility were also a priority.

The IM R Series is an easy to operate, compact and lightweight solution for maximum clearance and versatility. The reduced size of the units and portable remote controls ensure maneuverability in tight spaces while providing added operator safety. In addition, track-driven capabilities offer maximum versatility for both outdoor and indoor applications.

Like IMER's scissor lift series, the IM R 19 and IM R 13 T share innovative technologies and a commonality of parts, which simplifies maintenance and improves parts costs and accessibility.

In addition to the standard features and accessories, IMER Group has developed **IMERVIEW**, a GPS system which makes it possible to monitor and/or control aerial machines remotely in real time.

### PRODUCT RANGE

[SERIES IM R 23 DA](#)

[SERIES IM R 19](#)

[SERIES IM R 15 DA](#)

[SERIES IM R 13 T](#)

### STANDARD EQUIPMENT

- Automatic outrigger leveling system
- 355° rotation (non-continuous)
- Electric motor for indoor use
- Air and Water connections to the platform
- 120V AC power to platform
- Removable wireless control box
- Tether for wired connectivity
- Emergency hand pump
- Cylinder holding valve
- Hour meter
- Load and tip detection sensor
- Load cell
- Hydraulic jib
- Rubber tracks
- Three travel speeds
- Remote battery charger
- Removable basket with 1 pin detach
- Overload sensor
- 120V battery charger
- Proportional controls with diagnostics
- Honda GX390 Engine
- Hydraulically adjustable track width
- Hydraulic basket rotation - 124°



## UNMATCHED ACCESSIBILITY

The IM R Tracked Series allows you to go where no towable or self-driven lifts can go and easily access those hard-to-reach areas. With a remarkable extension height, side outreach and 355° rotation, the IM R Series offers unmatched accessibility as well.



The **IM R SERIES** bi-energy articulated & telescopic tracked platforms are the ideal solution in the cases requiring:

- **Hard-to-reach outdoor spaces**  
(where no towable or self-driven units can access)
- **Indoor spaces with limited access**  
(doorways, isles and staircases)
- **Outdoor use** - arborists, building maintenance, construction - signage, electrical, painting
- **Indoor use** - building maintenance, construction (plumbing, electrical, and HVAC)



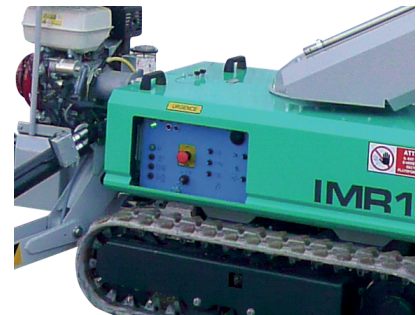
## FAST & SECURE LEVELING

Automatic outrigger leveling system for quick set up and peace of mind.



## EASY USER EXPERIENCE

A user-friendly control panel. The easily removable remote controlled unit allows for more space available in the basket and navigating from the ground.



## EASY ACCESS

In addition to the removeable control box in the basket, the IM R Series includes an easy to access ground control panel.



# ATRIUM LIFT DOUBLE ARTICULATED

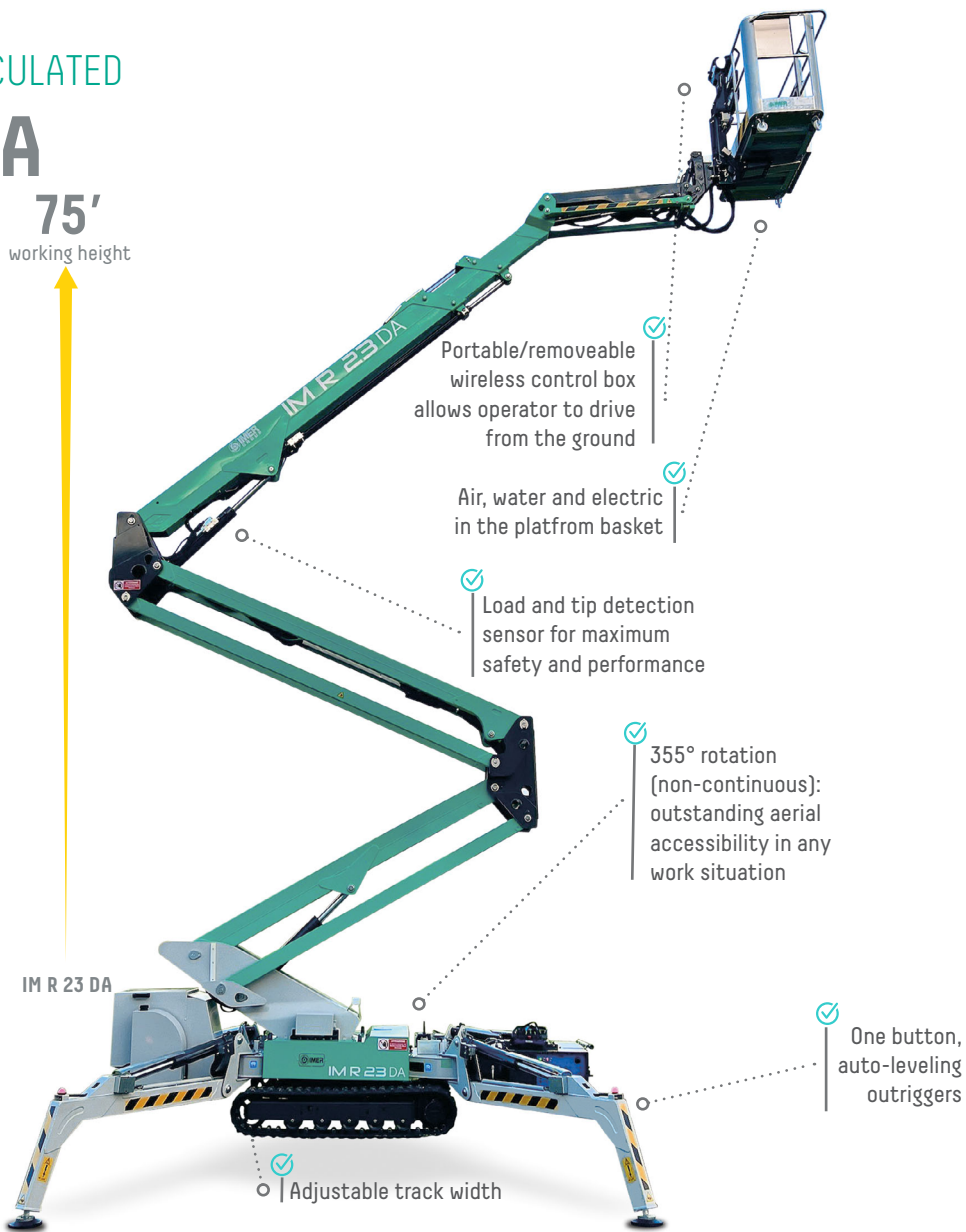
## Series IM R 23 DA

75'  
working height

### STANDARD EQUIPMENT

- Automatic outrigger leveling system
- 355° rotation (non-continuous)
- 230V, 16 amp electric motor for indoor use
- Air / Water outlet in the platform basket
- 120V AC power to platform
- Removable wireless control box
- Tether for wired connectivity
- Max 510 lbs in basket (two person capacity)
- Three travel speeds
- Emergency hand pump
- Cylinder holding valve
- Hour meter
- Load and tip detection sensor
- Hydraulic jib
- Rubber tracks
- Remote battery charger
- Removable basket with 1 pin detach
- Overload sensor
- 120V battery charger
- Proportional controls with diagnostics
- Honda GX800 Engine
- Hydraulically adjustable track width
- 8" outrigger pads
- Hydraulic basket rotation - 124°

IM R 23 DA



### OUTDOOR AND INDOOR USE

### OPTIONAL EQUIPMENT

- Non-marking rubber tracks
- Working light in the platform basket
- 12 V emergency pump
- 14" Oversized outrigger pads
- Yanmar 3TNV70 Diesel Engine
- Wireless radio-control box
- IMERVIEW GPS Remote Monitor System

	IM R 23 DA			
Working height	ft	75'	m	19
Platform height	ft	68'	m	17
Side outreach (weight in basket)	ft / lb	35' / 507 - 39' / 308	m / kg	9.75 / 80 - 8.5 / 120 - 7 / 227
Rotation (non-continuous)	deg	355°	deg	355°
Basket dimensions	in	54" x 30" x 42"	mm	1448 x 711 x 1092
Basket rotation	deg	124°	deg	124°
Transport length (without basket)	ft	18' 8" (4' 2")	mm	5308 / 4622
Transport width (without basket)	ft	Max 3' 2" (4' 2")	mm	Max 1066 / Min 787
Height in stowed position	ft	6' 6"	mm	Min 1981 / Max 2108
Overall outrigger footprint	ft	12' 9" x 12' 1"	mm	3302 x 3327
Stabilizer load	psf	3930	daN	1750
Driving speed	mph	0 - 1.7	km / h	0 - 2
Gradeability	%	18%	%	32%
Platform Capacity	lb	510	V / kW	120 / 1.125
Machine weight (diesel)	lb	6525 (6613)	kg	2435



Standard emergency hand pump with ease of access and operation.



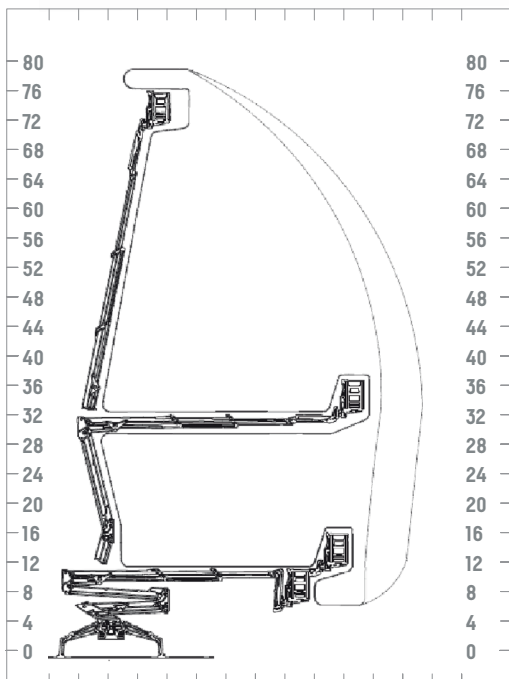
Compact jib assembly hosting both the load sensor and basket rotation system.



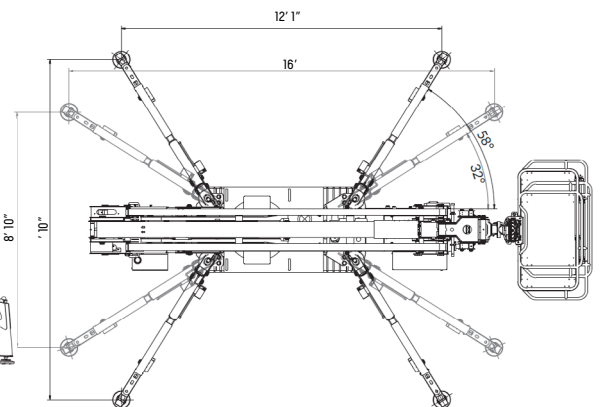
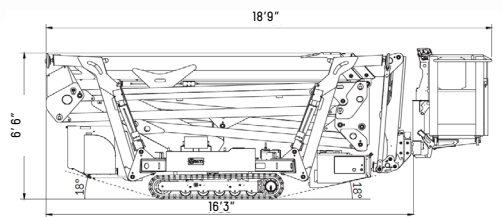
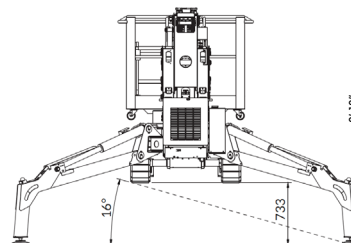
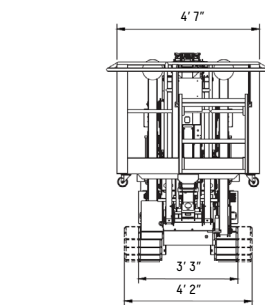
Hydraulically adjust the track width for added stability and traction.



12 8 4 0 4 8 12 16 20 24 28 32 36 40



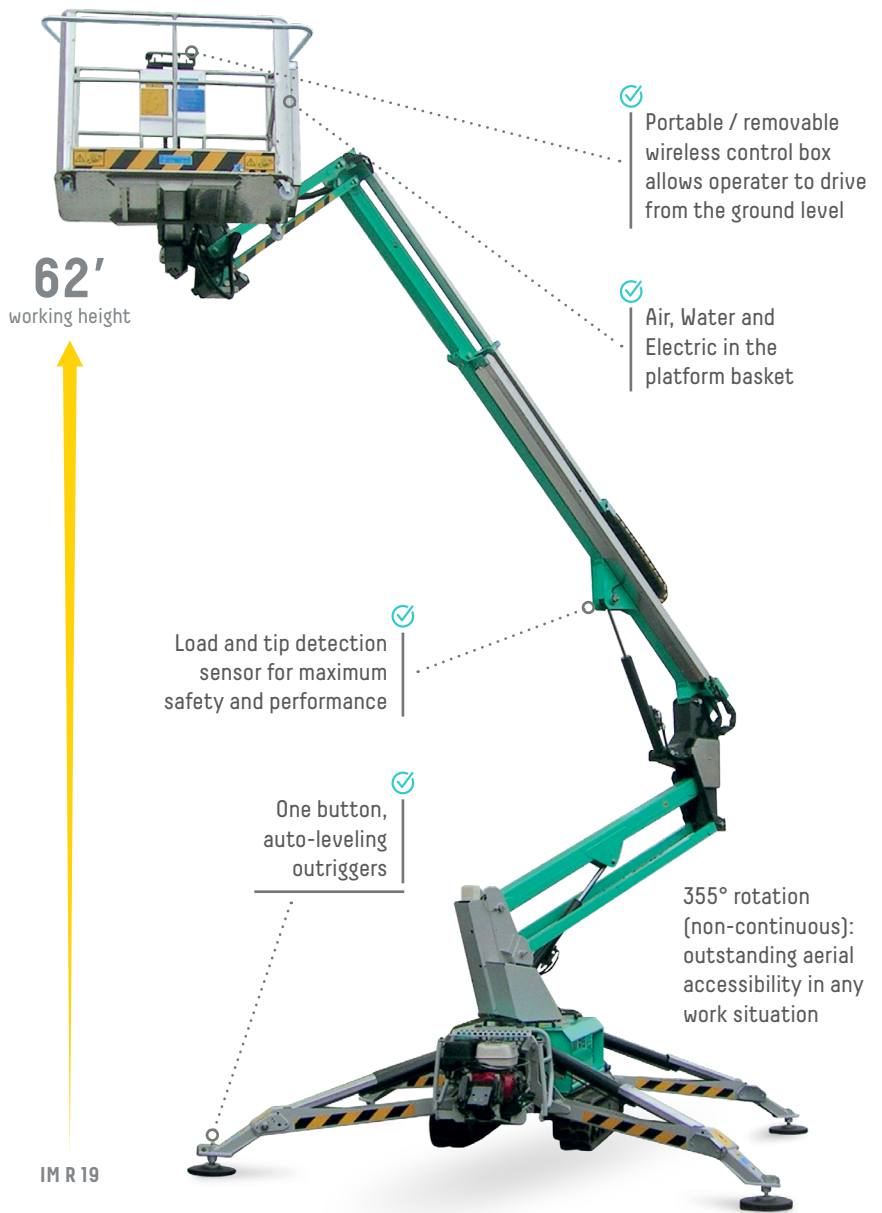
12 8 4 0 4 8 12 16 20 24 28 32 36 40



# ATRIUM LIFT ARTICULATED Series IM R 19 Bi-Energy & Lithium

## STANDARD EQUIPMENT

- Automatic outrigger leveling system
- 355° rotation (non-continuous)
- 120V, 15 amp electric motor for indoor use
- Air / Water outlet in the platform basket
- 120V AC power to platform
- Removable wireless control box
- Tether for wired connectivity
- Max 510 lbs in basket (two person capacity)
- Three travel speeds
- Emergency hand pump
- Cylinder holding valve
- Hour meter
- Load and tip detection sensor
- Load cell
- Hydraulic jib
- Rubber tracks
- Remote battery charger
- Removable basket with 1 pin detach
- Overload sensor
- 120V battery charger
- Proportional controls with diagnostics
- Honda GX390 Engine or 48V electric motor
- Hydraulically adjustable track width
- Oversized 14" outrigger pads
- Hydraulic basket rotation - 124°



IM R 19

## OUTDOOR AND INDOOR USE

## OPTIONAL EQUIPMENT

- Non-marking rubber tracks
- Working light in the platform basket
- 12 V emergency pump
- 120 V desktop remote charge
- Sliding & oversized outrigger pads

	IM R 19 & IM R 19 Lithium			
Working height	ft	62'	m	19
Platform height	ft	56'	m	17
Side outreach (weight in basket)	ft / lb	32' / 176 - 28' / 310 - 23' / 510	m / kg	9.75 / 80 - 8.5 / 120 - 7 / 227
Rotation (non-continuous)	deg	355°	deg	355°
Basket dimensions	in	57" x 28" x 43"	mm	1448 x 711 x 1092
Basket rotation	deg	124°	deg	124°
Transport length (without basket)	ft	17' 5" / 15' 2"	mm	5308 / 4622
Transport width (without basket)	ft	Max 3' 6" / Min 2' 7"	mm	Max 1066 / Min 787
Height in stowed position (w/ stabilizers in position)	ft	Min 6' 6" / Max 6' 11"	mm	Min 1981 / Max 2108
Overall outrigger footprint	ft	10' 10" x 10' 11"	mm	3302 x 3327
Stabilizer load	psf	3930	daN	1750
Driving speed	mph	0 - 1.25	km / h	0 - 2
Gradeability	%	32%	%	32%
Electric pump	V / HP	120 / 1.5	V / kW	120 / 1.125
Max. hydraulic pressure	psi	3190	bar	220
Battery	V	12	V	12
Battery charger (Lithium)	V/A	12 / 12 (48 / 50)	V/A	12 / 12 (48 / 50)
Gas motor		Honda GX390		Honda GX390
Machine weight (Lithium)	lb	5370 (5445)	kg	2435 (2470)





Standard emergency hand pump with ease of access and operation.



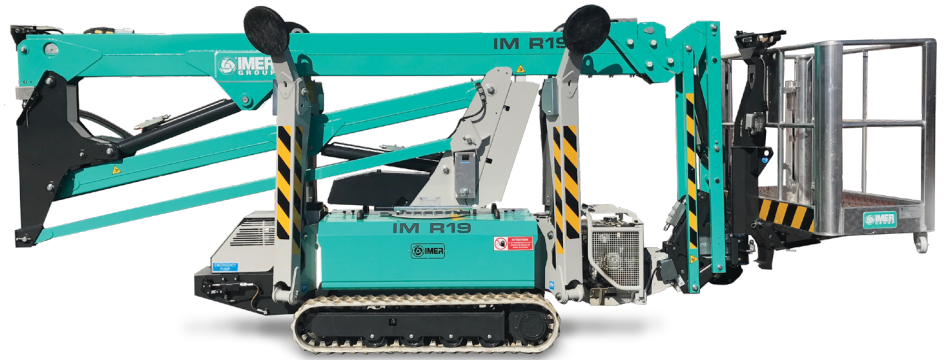
Compact jib assembly hosting both the load sensor and basket rotation system.



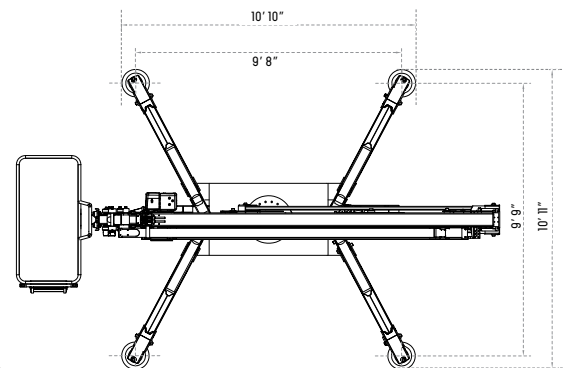
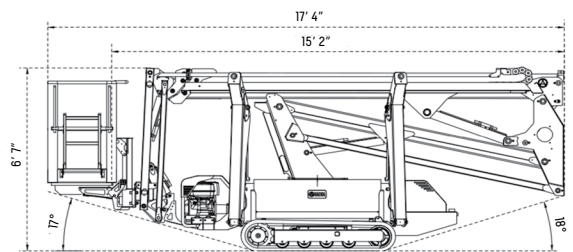
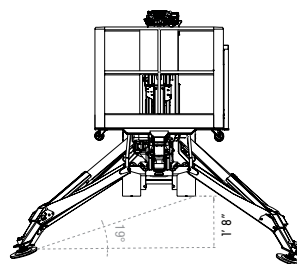
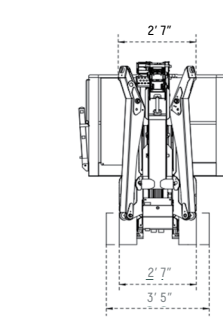
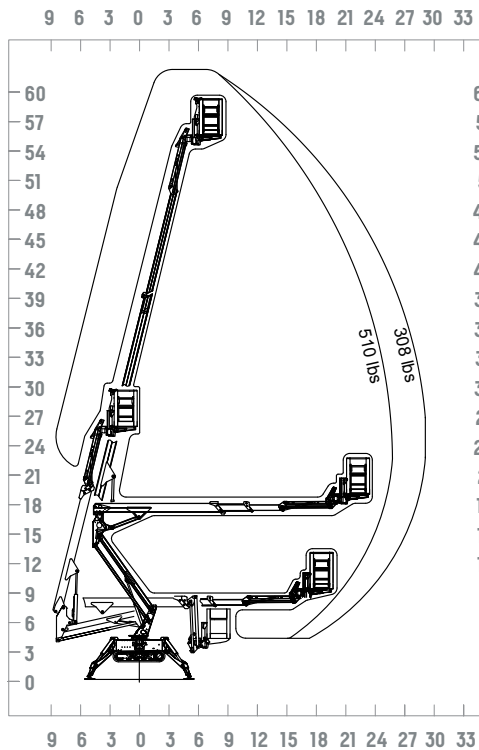
Hydraulically adjust the track width for added stability and traction.



Compact width allows access in narrow, hard to reach places

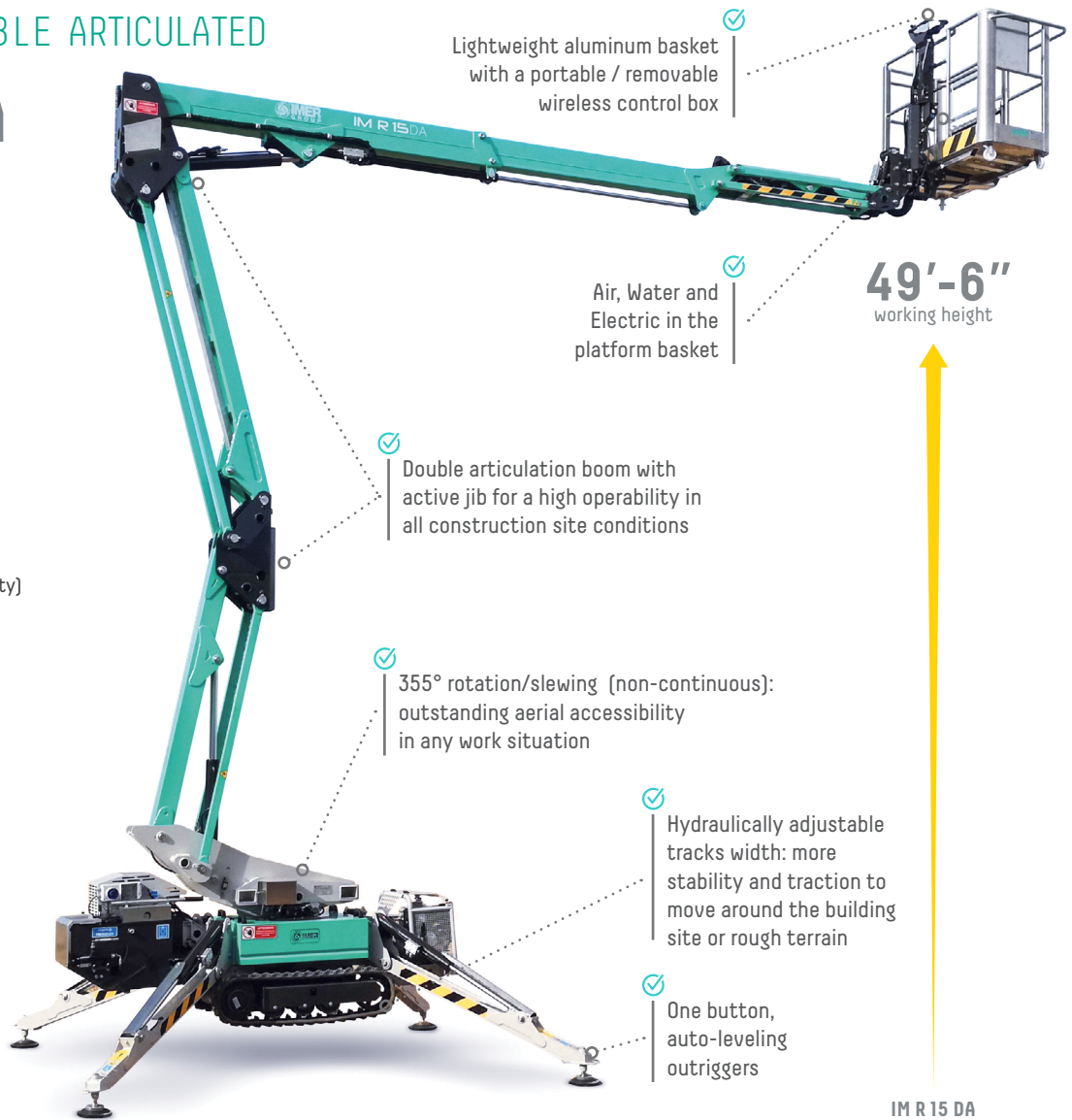


Easy access both outdoor and indoor.  
Non-marking tracks for indoor use



# ATRIUM LIFT DOUBLE ARTICULATED

## IM R 15 DA



49'-6"  
working height

IM R 15 DA

### STANDARD EQUIPMENT

- Automatic outrigger leveling system
- 355° rotation (non-continuous)
- Hydraulic basket rotation - 124°
- 120V, 15 amp electric motor for indoor use
- Air / Water outlet in the platform basket
- 120V AC power to platform
- Removable wireless control box
- Tether for wired connectivity
- Max 510 lbs in basket (two person capacity)
- Three travel speeds
- Emergency hand pump
- Cylinder holding valve
- Hour meter
- Load and tip detection sensor
- Load cell
- Hydraulic jib
- Rubber tracks
- Remote battery charger
- Removable basket with 1 pin detach
- Overload sensor
- 120V battery charger
- Honda iGX390 engine
- Yanmar L100N diesel engine
- Hydraulically adjustable track width
- Proportional controls with diagnostics

### OUTDOOR AND INDOOR USE

### OPTIONAL EQUIPMENT

- Non-marking rubber tracks
- Working light in the platform basket
- 12 V emergency pump
- 120 V desktop remote charge
- Sliding, oversized outrigger shoes
- Oversized outrigger pads
- Double speed traction
- Aluminium basket (2' 11-1/2" x 2' 5")
- Aluminium basket (4' 7" x 2' 3-1/2")
- IMERVIEW GPS Remote Monitor System

	IM R 15 DA			
Working height	ft	49' 6"	m	15.10
Platform height	ft	43'	m	13.10
Side outreach (weight in basket)	ft / lb	23' / 506	m / kg	7.00 / 230
Rotation (non-continuous)	deg	355°	deg	355°
Basket dimensions	in	57" x 27 1/2" x 43"	mm	1.40 x 0.70 x 1.10
Basket rotation	deg	124°	deg	124°
Transport length (without basket)	ft	14' 5" / 12'	m	4.40 (3.65)
Transport width (without basket)	ft	Min 2' 7" / Max 3' 5"	m	Min 0.79 / Max 1.06
Height in stowed position	ft	Min 6' 6" / Max 6' 11"	m	Min 1.99 (Max 2.05)
Overall outrigger footprint	ft	9' 6" x 10'	mm	2.92 x 3.08
Stabilizer load	ft-lb	3930	daN	1750
Driving speed	mph	0 - 1.12	km / h	1.8
Gradeability	%	17.5° / 32%	%	17.5°
Platform capacity	lb	507	kg	120 / 1.125
Gas engine Honda GX390		11 HP / 3600 rpm		11 HP / 3600 rpm
Diesel engine Tanmar L100N		9.9 HP / 3600 rpm		9.9 HP / 3600 rpm
Machine weight	lb	4475	kg	2030

\*w/ stabilizers in position



Outstanding accessibility with a 355° rotation (non-continuous) and 124° jib rotation



A Honda Engine and Electric Motor provide a bi-energy solution, allowing both indoor and outdoor use



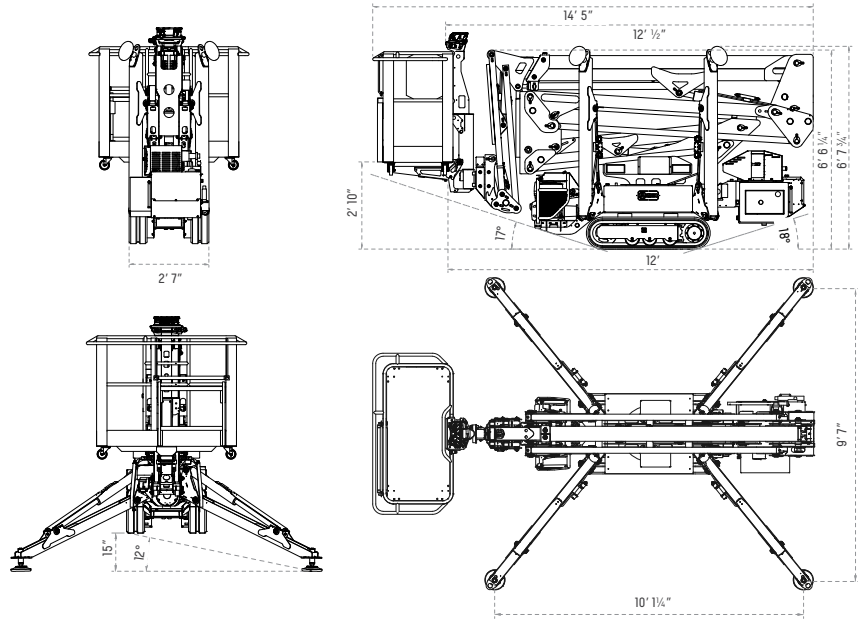
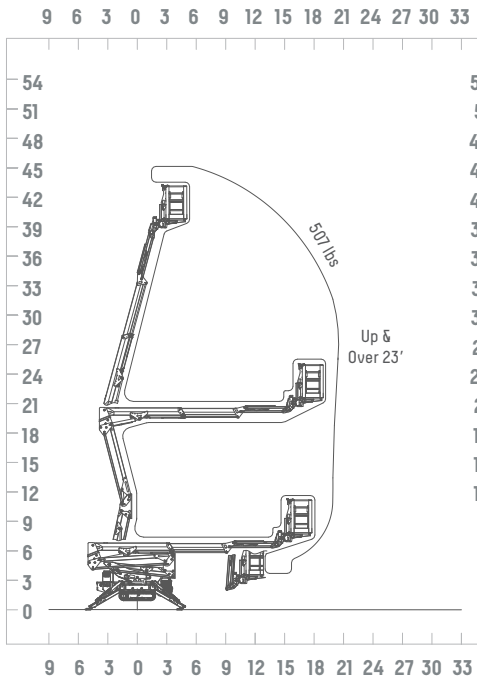
Lightweight aluminum basket options available for one or two operators



Compact 31" width allows access in narrow, hard to reach places



Easy access both outdoor and indoor. Non-marking tracks for indoor use - transport width is merely 3' 5"



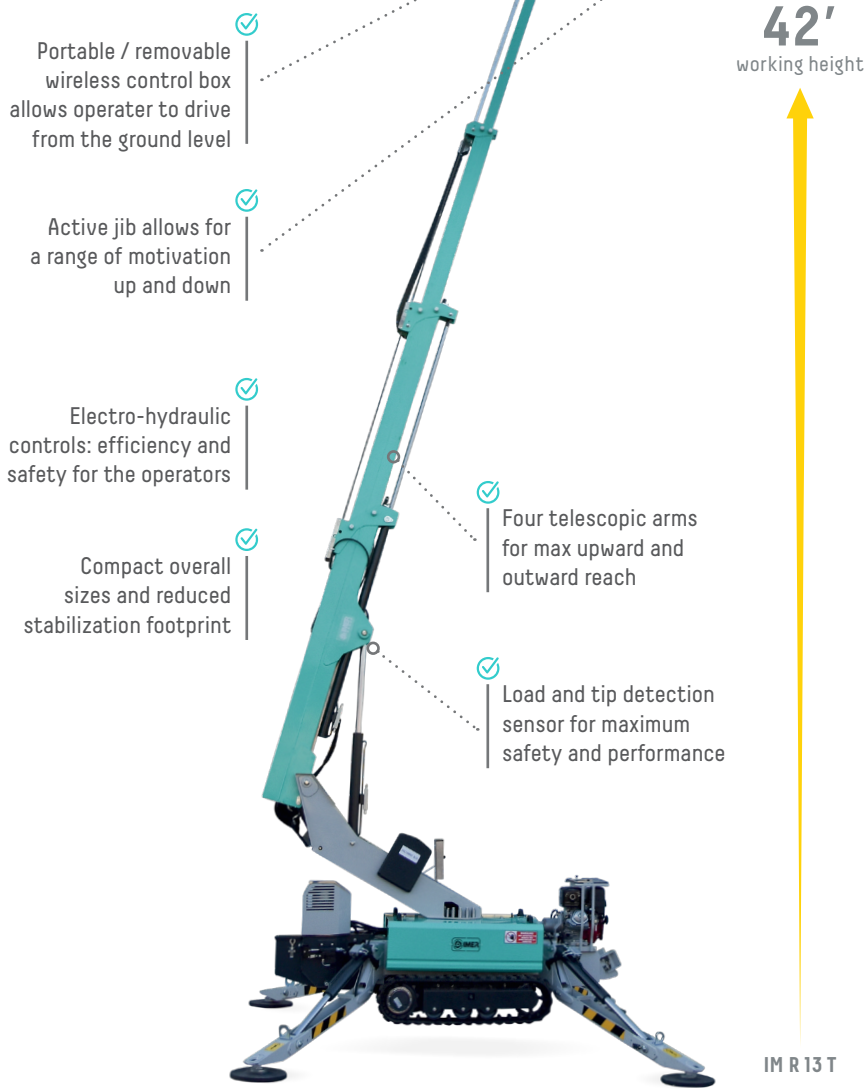


# ATRIUM LIFT TELESCOPIC

## Series IM R 13 T

### STANDARD EQUIPMENT

- Automatic outrigger leveling system
- 120V, 15 amp electric motor for indoor use
- Air / Water outlet in the platform basket
- 120V AC power to platform
- Removable wireless control box
- Tether for wired connectivity
- Emergency hand pump
- Cylinder holding valve
- Hour meter
- Load and tip detection sensor
- Load cell
- Hydraulic jib
- Rubber tracks
- Three travel speeds
- Remote battery charger
- Removable basket with 1 pin detach
- Overload sensor
- 120V battery charger
- Proportional controls with diagnostics
- Honda GX390 Engine
- Hydraulic basket rotation - 124°

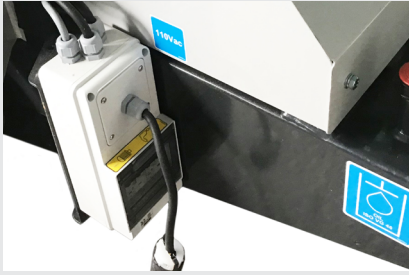


### OUTDOOR AND INDOOR USE

### OPTIONAL EQUIPMENT

- Non-marking rubber tracks
- Working light in the platform basket
- 12 V emergency pump
- 120 V desktop remote charge
- Sliding, oversized outrigger shoes
- Oversized outrigger pads
- Double speed traction
- Aluminium basket (2' 11-1/2" x 2' 5")
- Aluminium basket (4' 7" x 2' 3-1/2")
- IMERVIEW GPS Remote Monitor System

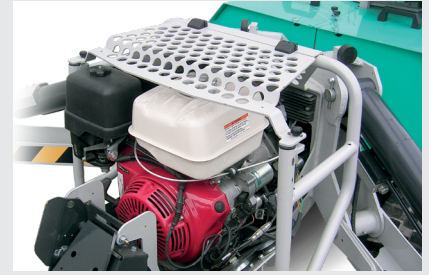
	IM R 13 T			
Working height	ft	42'	m	13
Platform height	ft	36'	m	11
Side outreach (weight in basket)	ft / lb	17' / 510 - 20' 6" / 308	m / kg	5.25 / 230 - 6.3 / 140
Rotation (non-continuous)	deg	355°	deg	355°
Basket dimensions	in	51" x 28" x 43"	mm	1300 x 750 x 1100
Transport length (without basket)	ft	12' 4" / 9' 8"	mm	3780 / 3000
Transport width (without basket)	ft	4' 3" / 2' 6"	mm	1300 / 790
Height in stowed position (w/ stabilizers in position)	ft	6' 6 3/4"	mm	2000
Overall outrigger footprint	ft	8' 8" / 9' 2"	mm	2700 x 2800
Driving speed	mph	.93	km/h	1.5
Gradeability	%	30%	deg / %	30%
Platform capacity	lb	510	kg	230
Electric motor	V / HP	120 / 1.5	V / kW	120 / 1.125
Gas motor		Honda GX390		Honda GX390
Machine weight	lb	3410	kg	1550



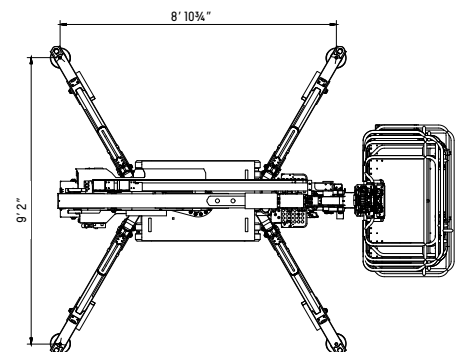
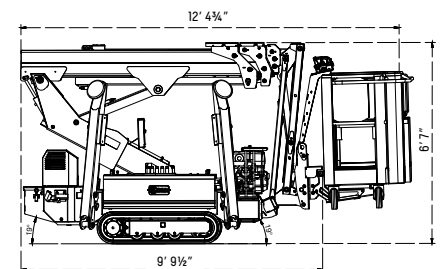
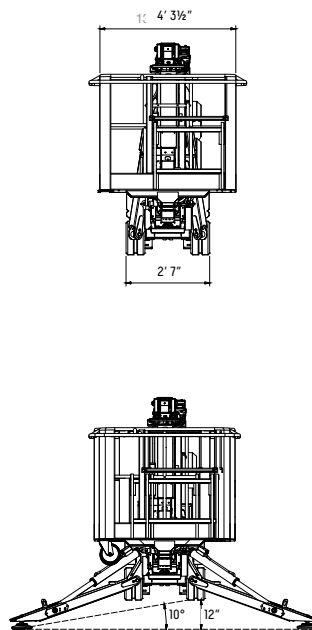
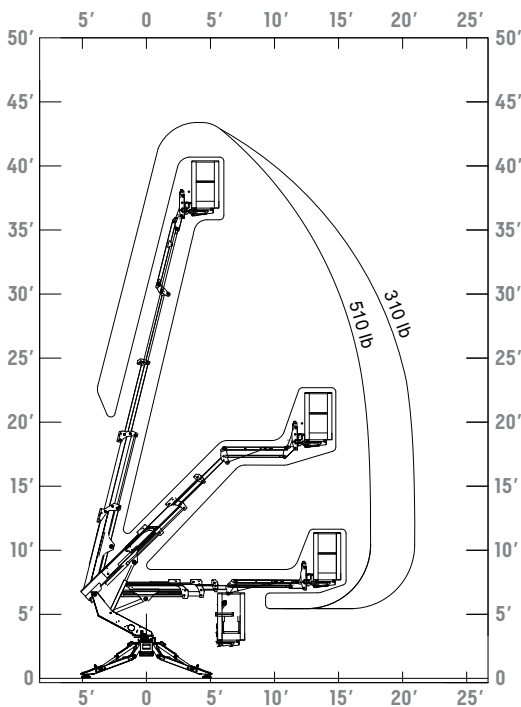
Thermal-magnetic switch panel and power line inlet.



Easily attach or remove the basket with the one-pin mounting system.



Rugged engine guard for improved protection.



# IMER GROUP SOLUTIONS

**IMER Group** has developed **IMERVIEW** with the aim of making it possible to control various aspects of the machines remotely. **IMERVIEW** gives the ability to give the parameters, functionality and statistics of the machine.

**IMERVIEW** is a kit which can be combined with the machines of the **ACCESS, EQUIPMENT** and **CONCRETE** Divisions.

## ONE SOFTWARE, INFINITE SOLUTIONS.

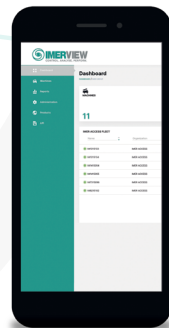
Every **IMER Access** customer, rental company or dealer can manage all the machines in their **fleet** through the main **dashboard** where there is a summary of some basic information of all their fleet machines.

Each **individual machine** also has its own **specific dashboard** which enables the user to view **information** and **data** coming from the device through a clear and user friendly interface.

The user can monitor various machine parameters in **real time** (e.g. battery status, hours of use and operation of the machine, current working height, geolocation and various indications coming from the machine's on-board sensors). The user can also obtain reports with graphs that allow analyzing the trend of a specific parameter detected by the machine's control unit.

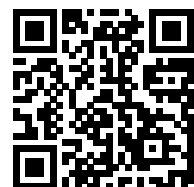
Moreover, it is possible to set various parameters for the **management** and **use** of the machine (e.g. maximum permitted working height, geo fencing of the working area, setting of working hours).

The **reporting** of accounting information (useful, for example, for billing) completes the functions of this innovative and powerful system.



**IMERVIEW**  
CONTROL. ANALYSE. PERFORM.

Get to the **IMERVIEW** portal:





# FEATURES AND BENEFITS OF THE SYSTEM

**SIMULTANEOUS REMOTE CONTROL OF THE MACHINES AND FLEET MANAGEMENT**



**MACHINE PARAMETER SETTING**



**INTERACTION WITH IOT DEVICES AND SYSTEMS**



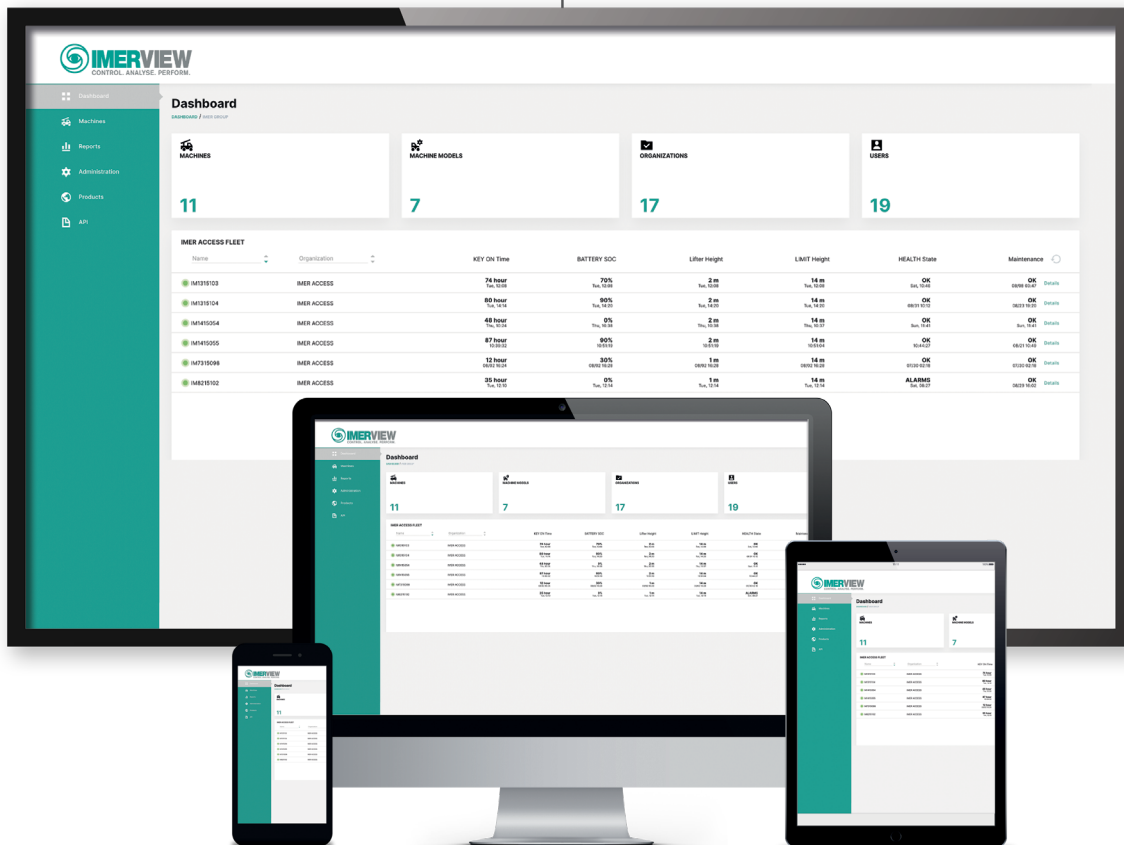
**SCHEDULED MAINTENANCE**



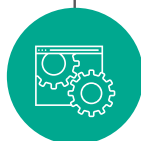
**REAL-TIME DISPLAY OF MACHINE PARAMETERS**



**DIAGNOSIS OF MACHINE PROBLEMS**



**REPORTS FOR ACCOUNTING INFORMATION**



**MACHINE PARAMETERS CHECK**



**MACHINE GEOLOCATION AND TRACKING**



**GEO FENCING LIMITATION OF MACHINE WORKING AREA**



**TIME FENCING SETTING OF MACHINE WORKING TIMES**

# IMER ACCESS WARRANTY INFO

## WARRANTY & LIABILITY POLICY

### LIMITED WARRANTY & LIMITATION OF LIABILITY

IMER Group | USA warrants its products to be free of defects in material or workmanship for:

#### ONE YEAR FROM END USER'S DATE OF PURCHASE

The warranty period begins on the date of purchase by the End User of the product. All warranty is based on the following limited warranty terms and conditions, including the disclaimer of implied warranties and consequential damages.

IMER Group | USA's obligation and liability under this warranty is limited to repairing or replacing parts if, after IMER Group | USA's inspection, there is determined to be a defect in material or workmanship. IMER Group | USA reserves the right to repair or replace.

If IMER Group | USA chooses to replace the part, it will be at no cost to the customer and will be made available to the IMER Group | USA Dealer from whom the End User purchased the product or an Authorized Service Provider.

Replacement or repair parts, installed in the product, are warranted only for the remainder of the warranty period of the product as though they were the original parts.

IMER Group | USA does not warranty engines or batteries. Engine warranty claims should be made directly to an authorized factory service center for the particular engine manufacturer. Batteries are not warranted due to unknown treatment during transport, etc, and any battery claims should be directed to the battery manufacturer.

IMER Group | USA's warranty does not cover the normal maintenance of products or its components (such as engine tune-ups and oil & filter changes). The warranty also does not cover normal wear and tear items (such as belts and consumables).

IMER Group | USA's warranty will be void if it is determined that the defect resulted from operator abuse, failure to perform normal maintenance on the product, modification to product, alterations or repairs made to the product without the written approval of IMER Group | USA.

IMER Group | USA will pay shop labor on warranty items at the IMER Shop Labor Rate in existence on the date of the warranty claim. An IMER Group | USA labor chart will determine the time allowed to complete a repair and will govern the shop labor hours that will be allowed. IMER will not reimburse for transportation or travel expenses.

### LIMITED WARRANTY & LIMITATION OF LIABILITY

IMER Group | USA will pay freight on warranty replacement parts at standard ground rates. No warranty replacement parts will be shipped air freight at the expense of IMER Group | USA. IMER Group | USA only pays outbound freight charges when sending warranty replacement parts to the customer via ground service. IMER Group | USA does not pay any inbound freight. However, if IMER Group | USA determines this to be a warranted item, only then will IMER Group | USA reimburse the customer for inbound freight at standard ground rates.

IMER Group | USA Warranty Policy will not cover the following: taxes; shop supplies; environmental surcharges; air freight; travel time; loss of time; inconvenience; loss of rental revenue; rental costs of equipment used to replace the product being repaired; loss of use of the product; commercial loss; or any other charges whatsoever or any liabilities for direct, incidental, or consequential damage or delay.

IMER Group | USA makes no other warranty, expressed or implied. This limited warranty is in lieu of the warranty of merchantability and fitness.

No IMER Group | USA employee or representative is authorized to change this warranty in any way or grant any other warranty unless such change is made in writing and signed by an officer of IMER Group | USA.

This warranty shall be void, if, upon the occurrence of any incident involving any product made by IMER Group | USA and resulting in any personal injury or property damage, customer shall fail to notify IMER Group | USA within 48 hours of such occurrence or permit IMER Group | USA and its representatives to have immediate access to such product and all records of or within the control of the customer relating to the product and occurrence.

## WARRANTY CLAIM POLICY

Before contacting Customer Service regarding a possible warranty claim, you must have the following:

1. The end user's date and proof of purchase, or a copy of the completed warranty card or online warranty registration.
2. Your original invoice copy from IMER Group | USA
3. The machine's model number and serial number,
4. A complete description of the problem or failure.

## IMER Group | USA WARRANTY PROCESS

The customer gathers the information listed above and then completes a **Return Goods Authorization form (RGA)**.

The customer then returns the goods to IMER Group | USA freight prepaid with the RGA number included inside the package and RGA number displayed on the outside of the package. All collect shipments to IMER Group | USA will be refused and returned at the customer's expense.

IMER Group | USA then determines if the claim is warranty or non-warranty.  
a. If a warranty, IMER Group | USA will issue a credit to customer's account.  
b. If non-warranty, IMER Group | USA will notify the customer.

NOTE: IMER Group | USA will only issue a credit to customer's account; no cash refunds will be made. If a customer needs an IMER Group | USA part to repair the end user's machine while waiting for warranty consideration, the customer will be required to order and purchase the replacement part.

## EXTENDED WARRANTY

IMER Group | USA offers extended warranties on all Access products. Please speak to your sales representative to learn more about the warranty options and pricing.

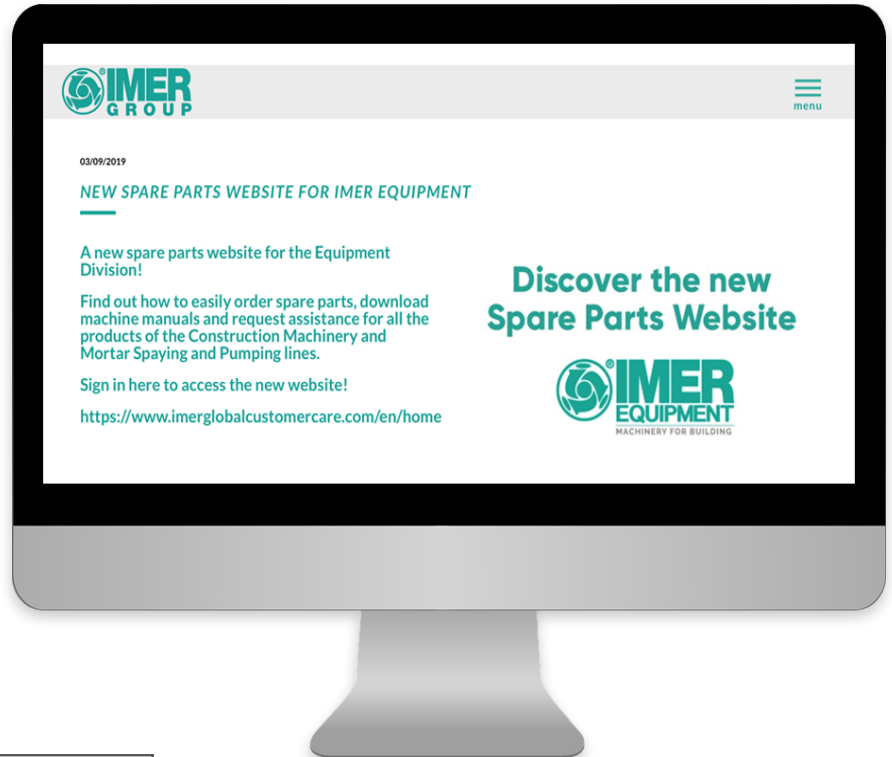
# IMER PARTS - ONLINE SUPPORT

## ONE WEBSITE, ALL PARTS.

The new **IMER Parts** website has been launched offering customers the ability to search for parts by the part number or serial number, then easily locate the parts you need using the 3-D exploded view of the equipment diagrams. This website also includes a section for equipment user guides and manuals, and a Help Desk.

### Get started today.

Log in, create your account, and enjoy **ordering parts, made easy.**



[www.imerglobalcustomercare.com](https://www.imerglobalcustomercare.com)

## IMER SUPPORT

### GOT QUESTIONS?

Call Us Toll-Free (800) 275-5463

Call our toll-free phone number to speak to an IMER Representative regarding Sales, Customer Service, or Parts.

We can also help you locate a dealer, a service center, or a sales representative closest to you.

35





**TOLL FREE: 800.275.5463**  
**WWW.IMERUSA.COM**



**IMER USA, Inc.**  
423 Bank Street, Suite 180  
Southlake, TX 76092  
Tel. (800) 275-5463 - Fax (301) 336-6687  
[www.imerusa.com](http://www.imerusa.com)



IMER Group | USA reserves the right to change the information contained herein without prior notice when they consider it justified. The data and dimensions are therefore not to be considered as binding. The illustrations may include accessories and therefore they could be slightly different from the standard versions of the equipment.